

LEAD FREE*

Model LFPV20C

Pressure Relief, Sustaining or Backpressure Pilot

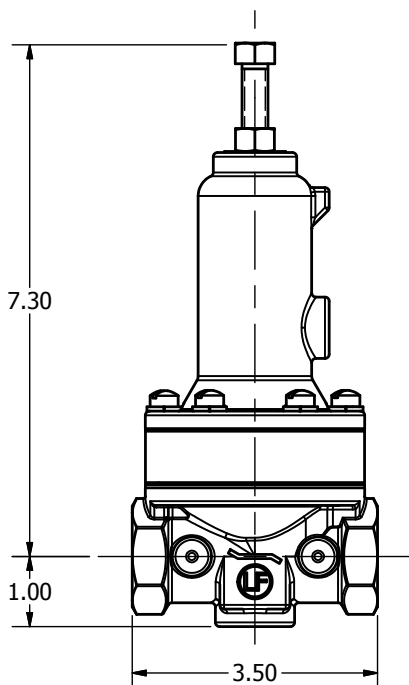
Size: 1/2" NPT

The Model LFPV20C is a remote sensed direct acting, diaphragm actuated Pilot that is used on various configurations of Automatic Control Valves.

It is normally held closed by the force of the adjustable spring setting above the diaphragm. It modulates toward an open position when control pressure, exerting force below the diaphragm, exceeds the spring setpoint, and modulates toward a closed position when the control pressure falls below the spring setpoint. The LFPV20C senses control pressure through a tapped port below the diaphragm. The large diaphragm-to-seat ratio allows it to open and close within tight pressure tolerances, accurately positioning the Main Valve.

Turning the adjustment screw clockwise raises the control setpoint. Turning the adjustment screw counterclockwise lowers the control setpoint.

The LFPV20C is equipped with one 1/2" NPT inlet and outlet port and a 1/4" NPT side sensing port located on the power chamber. The 1/4" side sensing port is used to monitor upstream or downstream pressure as required by specific valve function.



Model LFPV20C

Specifications

Body Material:	Lead Free Copper Silicon Alloy
Seat:	316 Stainless Steel
Elastomers:	Buna-N (standard) Viton (optional) EPDM (optional)
Inlet Pressure Rating:	450psi (27.6 bar) maximum
Adjustment Rating:	20-200psi (1.4 - 13.8 bar) (standard) 0-30psi (0 - 2.1 bar) (optional) 100-300psi (6.9 - 20.7 bar) (optional) 200-450psi (13.8 - 31.0 bar) (optional)

Viton® is a registered trademark of DuPont Dow Elastomers.

*The wetted surface of this product contacted by consumable water contains less than 0.25% of lead by weight.

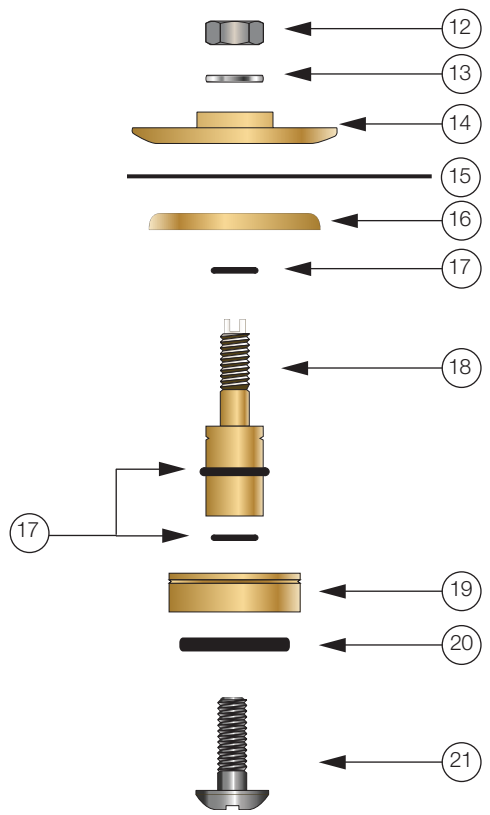
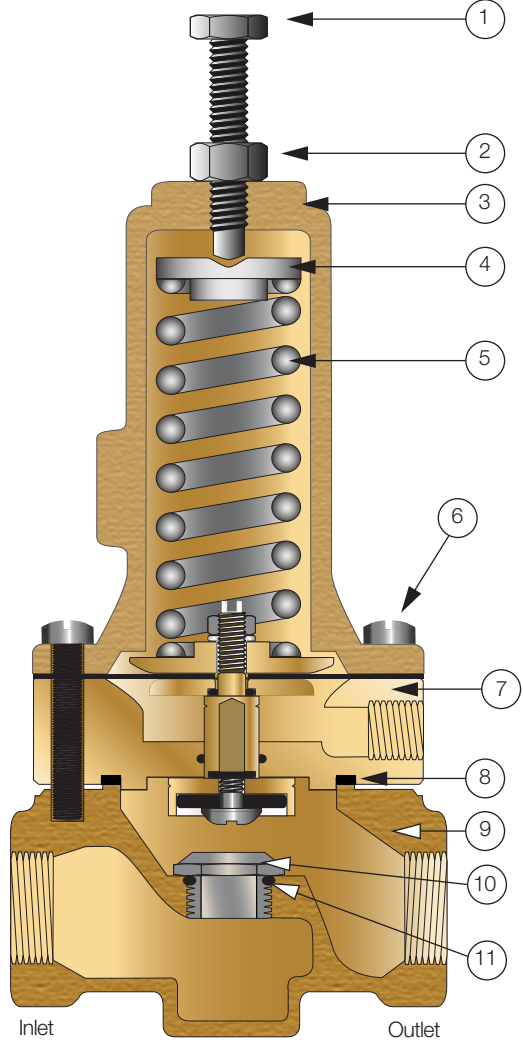
NOTICE

The information contained herein is not intended to replace the full product installation and safety information available or the experience of a trained product installer. You are required to thoroughly read all installation instructions and product safety information before beginning the installation of this product.

LEAD FREE*

Model LFPV20C

Pressure Relief, Sustaining or Backpressure Pilot



Item	Description
1	Adjusting Screw
2	Jam Nut
3	Spring Housing
4	Spring Guide
5	Spring
6	Cap Screw
7	Power Chamber
8	O-Ring*
9	Body
10	Seat
11	O-Ring*

Item	Description
12	Nut
13	Lockwasher
14	Diaphragm Washer
15	Diaphragm*
16	Diaphragm Washer
17	O-Ring*
18	Stem
19	Retainer
20	Rubber Disc*
21	Screw

*Included in Repair Kit



A Watts Water Technologies Company