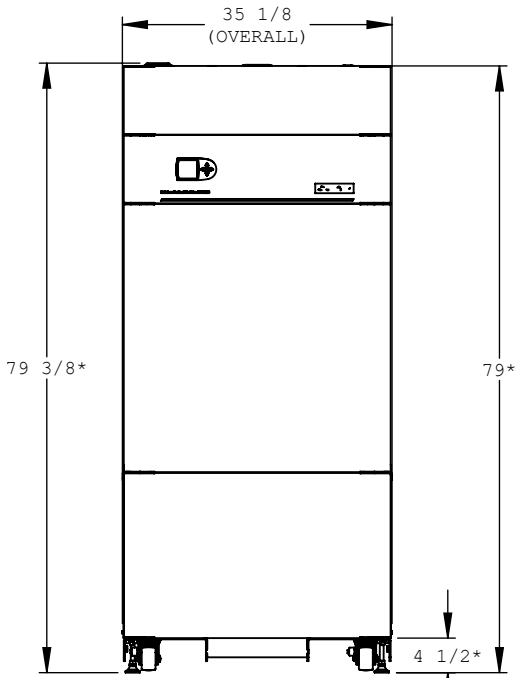
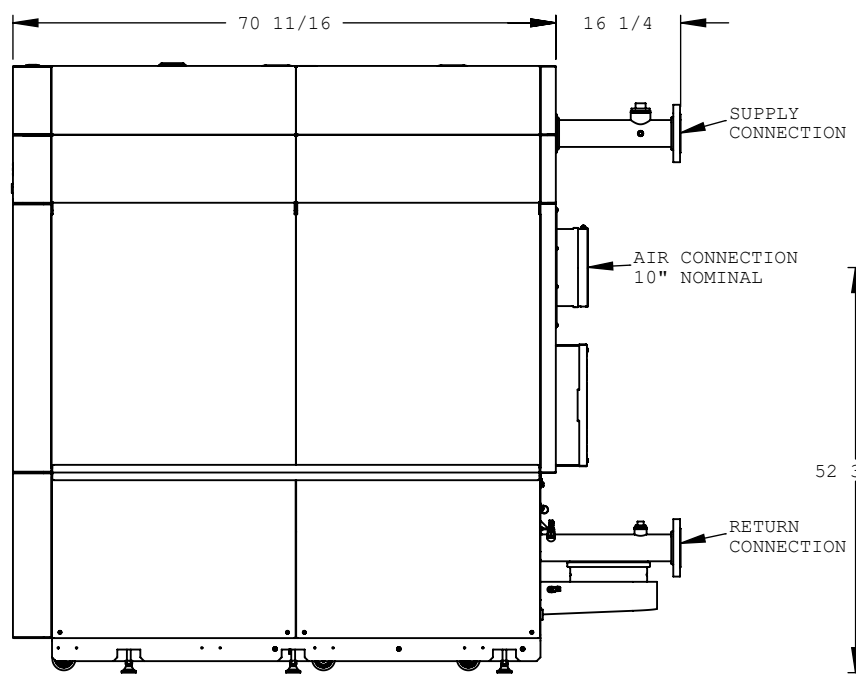


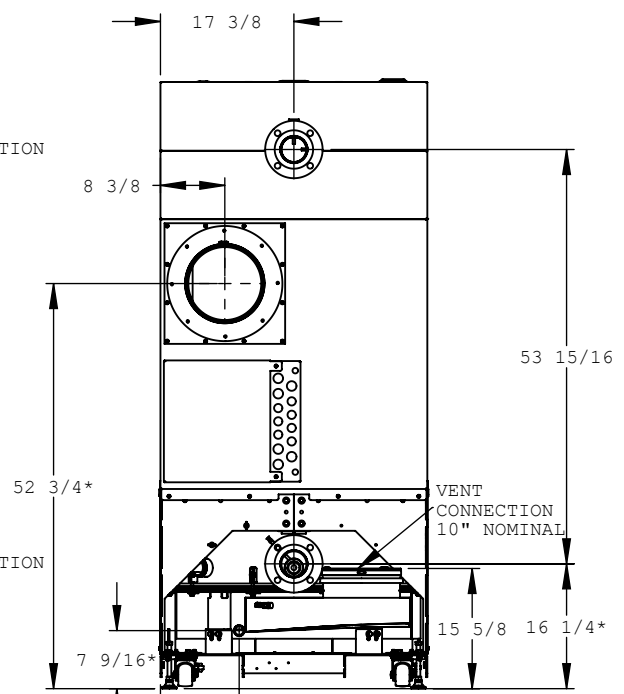
TOP



FRONT



RIGHT



BACK

* BASED ON 4-1/2" MINIMUM DISTANCE OF LEG TO BOTTOM OF FRONT PANEL