



*2023 DEPARTMENT OF
ENERGY EFFICIENCY
COMPLIANT*

Ideal for Commercial Applications

**Multi-Family, Municipal, Education & College Campus, Religious,
and Institutional.**

88 Water Boilers

STANDARD EQUIPMENT

- 2023 DOE regulatory compliant
 - Up to 87% Thermal Efficiency
 - Up to 88% Combustion Efficiency
- Cast iron sections
- Water boiler heating medium
- 960 – 5440 MBH performance range (4-18 sections)
- Power burner for gas, gas-oil, oil (except H-XX88 models)
- Burner mounting plate with refractory (except H-XX88 models)
- 30 psi, ASME relief valve
- Combustion high limit and low limit with manual reset control
- Combination pressure/temperature gauge
- Nipple and 5" x 6" reducing coupling (1288-1888 boilers)
- Integrated air eliminator
- Knock-down, assembled block or packaged configurations
- HXT-bars for optimized heat transfer
- Industrial-grade steel jacket
 - Easy-access, modular design panels with toolless entry
 - 3 inch insulation to maximize boiler efficiency
 - High temp site glass grommets
 - Part number reference on all components for intuitive assembly
- Cast iron flue collar with built-in breaching damper
- Observation ports on front and back sections
- Cleanout plates with reusable gaskets
 - 1/4" thick steel plates
 - Coated, woven fiberglass gasket material
- Flue brush
- Stainless steel vent adapter
- CAT II vent compliant design requirement

- Factory water tested

- Lifting cables attached to block assembly
- Steel skid on bottom of boiler
- Low water cut-off

OPTIONAL EQUIPMENT

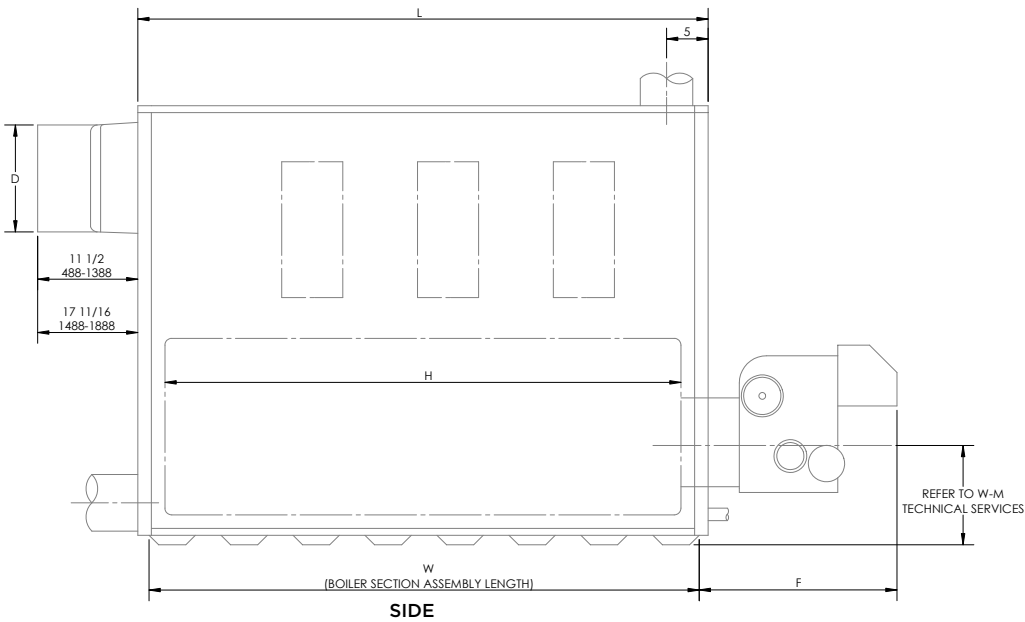
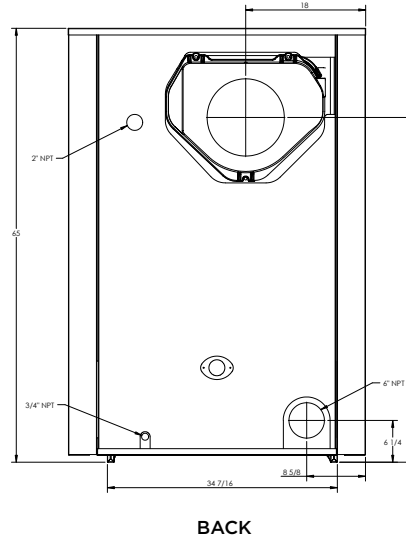
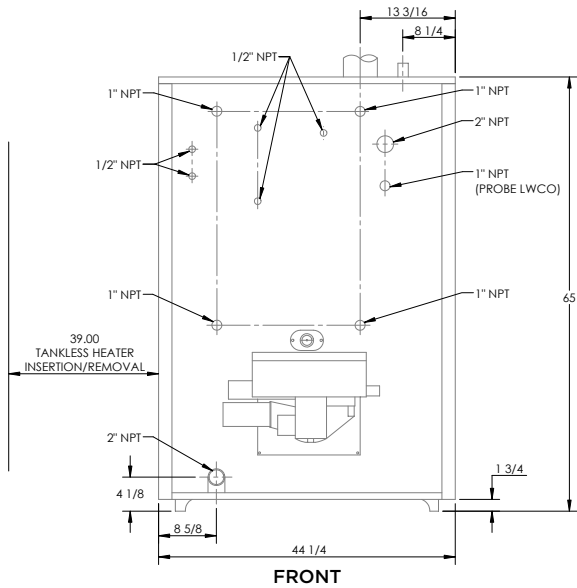
- Factory assembled sections
- Burner mounting plate with refractory for "H" boiler configurations
- Intermediates with tankless heater opening
- Tankless heaters for domestic hot water
- Tankless heater opening cover plates
- Low water cut-offs
- Side inspection tappings with plugs (2/section)
- Dual-range manometer
- Optional burners and burner controls

LIMITED TRANSFERABLE WARRANTY

- Residential: 10 Years Heat Exchanger;
1 Year Parts
- Commercial: 10 Years Heat Exchanger;
1 Year Parts

PACKAGED BOILERS

Dimensions



Boiler Model	Dimensions (inches)					Supply & Return Tappings		Approximate Burner Lengths (Dimension F)			
						Supply Tappings (No. / Size)	Return Tappings (No. / Size)	Power Flame	Beckett	Webster	Riello
	Water	Water									
488	10	54 3/4	34 3/4	30	23 3/8	1 - 5"	1 - 6"	31	—	37	49
588	10	54 3/4	42 3/4	38	31 3/8	1 - 5"	1 - 6"	35	33	37	49
688	12	53 3/4	50 3/4	46	39 3/8	1 - 5"	1 - 6"	35	33	40	49
788	12	53 3/4	58 3/4	54	47 3/8	1 - 5"	1 - 6"	35	33	40	49
888	14	52 3/4	66 3/4	62	55 3/8	1 - 5"	1 - 6"	35	33	40	49
988	14	52 3/4	74 3/4	70	63 3/8	1 - 5"	1 - 6"	35	33	40	49
1088	14	52 3/4	82 3/4	78	71 3/8	1 - 5"	1 - 6"	39	33	40	64
1188	16	51 3/4	90 3/4	86	79 3/8	1 - 5"	1 - 6"	39	—	40	64
1288	16	51 3/4	98 3/4	94	87 3/8	1 - 5"	1 - 6"	39	—	40	64
1388	16	51 3/4	106 3/4	102	95 3/8	1 - 5"	1 - 6"	39	—	40	64
1488	18	51 3/4	114 3/4	110	103 3/8	1 - 5"	1 - 6"	44	—	40	64
1588	18	51 3/4	122 3/4	118	111 3/8	1 - 5"	1 - 6"	44	—	40	64
1688	18	51 3/4	130 3/4	126	119 3/8	1 - 5"	1 - 6"	44	—	48	64
1788	18	51 3/4	138 3/4	134	127 3/8	1 - 5"	1 - 6"	44	—	48	64
1888	20	51 3/4	146 3/4	142	135 3/8	1 - 5"	1 - 6"	44	—	48	64

RATINGS

Model	Burner Capacity		Gross Output ¹		Net Ratings ¹		Efficiency Ratings				Boiler H.P.	Flue Outlet Diameter	Boiler Water Content	Approx. Boiler Weight
	Input Oil (GPH)	Input Gas (MBH)	Output Oil (MBH)	Output Gas (MBH)	Output Oil (MBH)	Output Gas (MBH)	Oil		Gas		HP	Inches	Gal	Lbs
							Combustion Efficiency	Thermal Efficiency	Combustion Efficiency	Thermal Efficiency				
488	6.9	960	804	806	731	701	---	87.0%	---	84.0%	23.8	10	109	2,860
588	9.1	1280	1108	1075	964	935	---	87.0%	---	84.0%	31.7	10	132	3,340
688	11.4	1600	1389	1344	1207	1169	---	87.0%	---	84.0%	39.7	12	155	3,820
788	13.8	1920	1681	1613	1462	1402	---	87.0%	---	84.0%	47.6	12	178	4,345
888	16.0	2240	1949	1882	1695	1636	---	87.0%	---	84.0%	55.6	14	201	4,925
988	18.2	2560	2242	2176	1950	1892	88.0%	---	85.0%	---	63.5	14	224	5,600
1088	20.5	2880	2526	2448	2196	2129	88.0%	---	85.0%	---	71.4	14	247	6,130
1188	23.0	3200	2834	2720	2464	2365	88.0%	---	85.0%	---	79.4	16	270	6,695
1288	25.0	3520	3080	2992	2678	2602	88.0%	---	85.0%	---	87.3	16	293	7,260
1388	27.5	3840	3388	3264	2946	2838	88.0%	---	85.0%	---	95.2	16	316	7,890
1488	29.5	4160	3634	3536	3160	3075	88.0%	---	85.0%	---	103.2	18	339	8,410
1588	32.0	4480	3942	3808	3428	3311	88.0%	---	85.0%	---	111.1	18	362	9,005
1688	34.5	4800	4250	4080	3696	3548	88.0%	---	85.0%	---	119.0	18	385	9,525
1788	36.5	5120	4497	4352	3910	3784	88.0%	---	85.0%	---	127.0	18	408	9,780
1888	39.0	5440	4805	4624	4178	4021	88.0%	---	85.0%	---	134.9	20	431	10,775

¹AHRI Certified Ratings

