

### Application

Designed for installation on water lines in fire protection systems to protect against both backsiphonage and backpressure of polluted water into the potable water supply. A test cock plug is provided to protect against fouling caused by insects, dirt and debris. Assembly shall provide protection where a potential non-health hazard exists.

### Standards Compliance

- UL® Classified (horizontal & vertical)
- C-UL® Classified (horizontal & vertical)
- ASSE listed 1048 (horizontal & vertical)
- Approved by the Foundation for Cross Connection Control and Hydraulic Research at the University of Southern California (horizontal & vertical)

By-Pass Backflow Assembly 3/4" Model 350D

### Materials

Main valve body	Cast Bronze ASTM B 584
Access covers	Cast Bronze ASTM B 584
Fasteners	Stainless Steel, 300 Series
Elastomers	Silicone (FDA approved) Buna Nitrile (FDA approved)
Polymers	Noryl™, NSF Listed
Springs	Stainless steel, 300 series
Test cock cover	Plastic



### Options

(Suffixes can be combined)

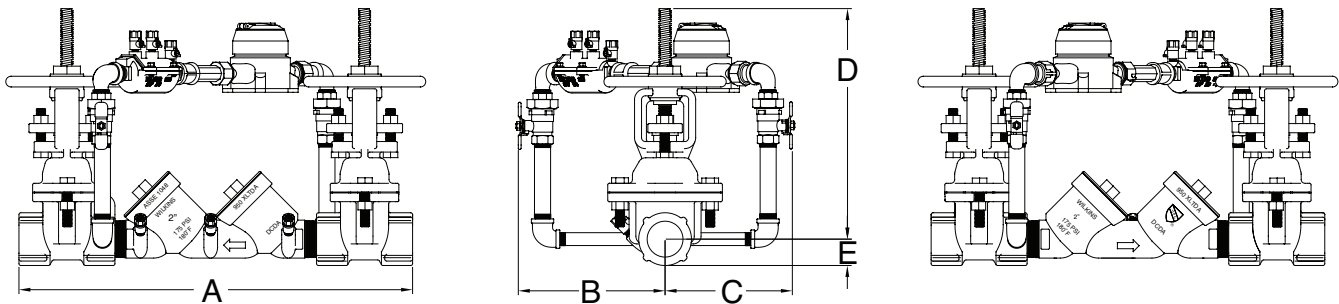
- with OS & Y gate valves (standard)
- LM - less water meter
- with gal meter (standard)
- CFM - with cu ft meter

### Accessories

- Repair kit (rubber only)
- OS & Y Gate valve tamper switch (OSY-40)
- QT-SET Quick Test Fitting Set

### Features

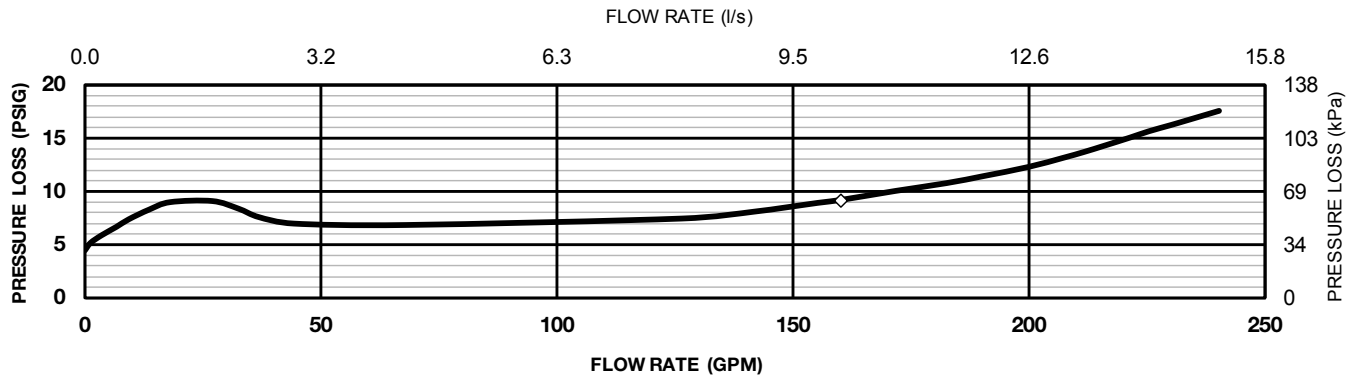
Sizes:	2"
Maximum working water pressure	175 PSI
Maximum working water temperature	180°F
Hydrostatic test pressure	350 PSI
End connections (Threaded)	ANSI B1.20.1



### Dimensions & Weights (do not include pkg.)

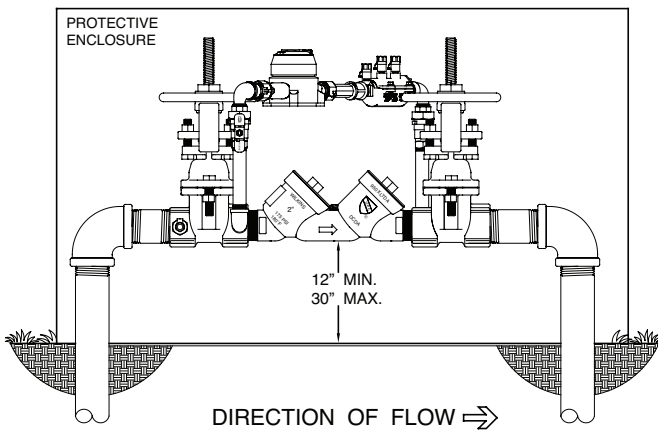
MODEL SIZE		DIMENSIONS (approximate)												WEIGHT	
		A		B		C		D OS&Y OPEN		D OS&Y CLOSED		E			
in.	mm	in.	mm	in.	mm	in.	mm	in.	mm	in.	mm	in.	mm	lbs.	kg
2	50	23 1/4	591	9	229	9	229	13	330	11	330	1 3/4	44	65	29.5

**MODEL 950XLTD 2" (STANDARD & METRIC)**

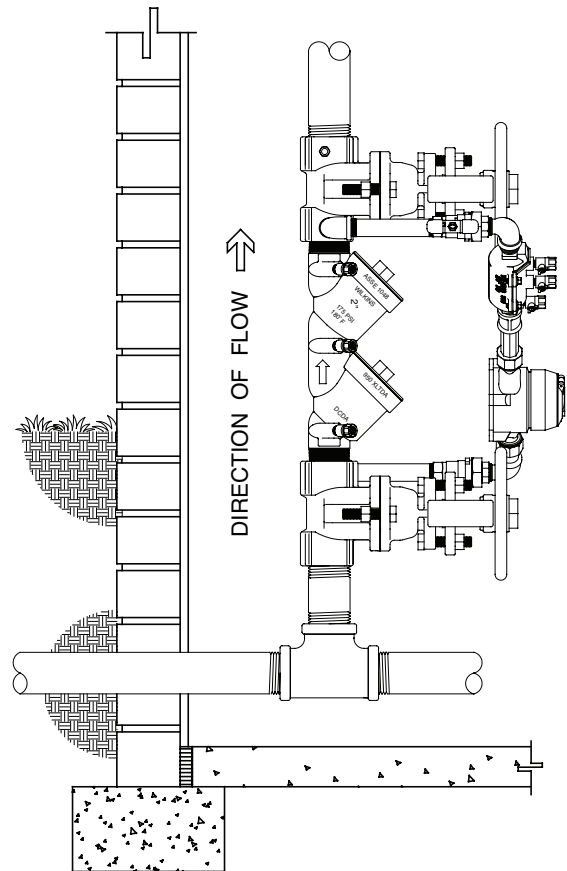


**Typical Installation**

Local codes shall govern installation requirements. To be installed in accordance with the manufacturer’s instructions and the latest edition of the Uniform Plumbing Code. Unless otherwise specified, the assembly shall be mounted at a minimum of 12" (305mm) and a maximum of 30" (762mm) above adequate drains with sufficient side clearance for testing and maintenance. The installation shall be made so that no part of the unit can be submerged.



**OUTDOOR INSTALLATION**



**VERTICAL INSTALLATION**

**Specifications**

The Double Check Detector Backflow Prevention Assembly shall be ASSE Listed 1048, and supplied with full port gate valves. The main body and access covers shall be bronze (ASTM B 584), the seat ring and all internal polymers shall be NSF® Listed Noryl™ and the seat disc elastomers shall be SILICONE. The first and second check shall be located at a 45° angle and accessible for maintenance from the top of the device, without removing the device from the line. Each check shall have separate access covers and test cocks shall be accessible from the top of the device. Test cocks shall be protected from debris by a plug. The Double Check Detector Backflow Prevention Assembly shall be a ZURN WILKINS Model 950XLTD.