



UNITED BRASS WORKS, INC

714 S. Main St.. Randleman, N.C. 27317

Phone: 800/334-3035 Fax: 800/498-4696 www.ubw.com



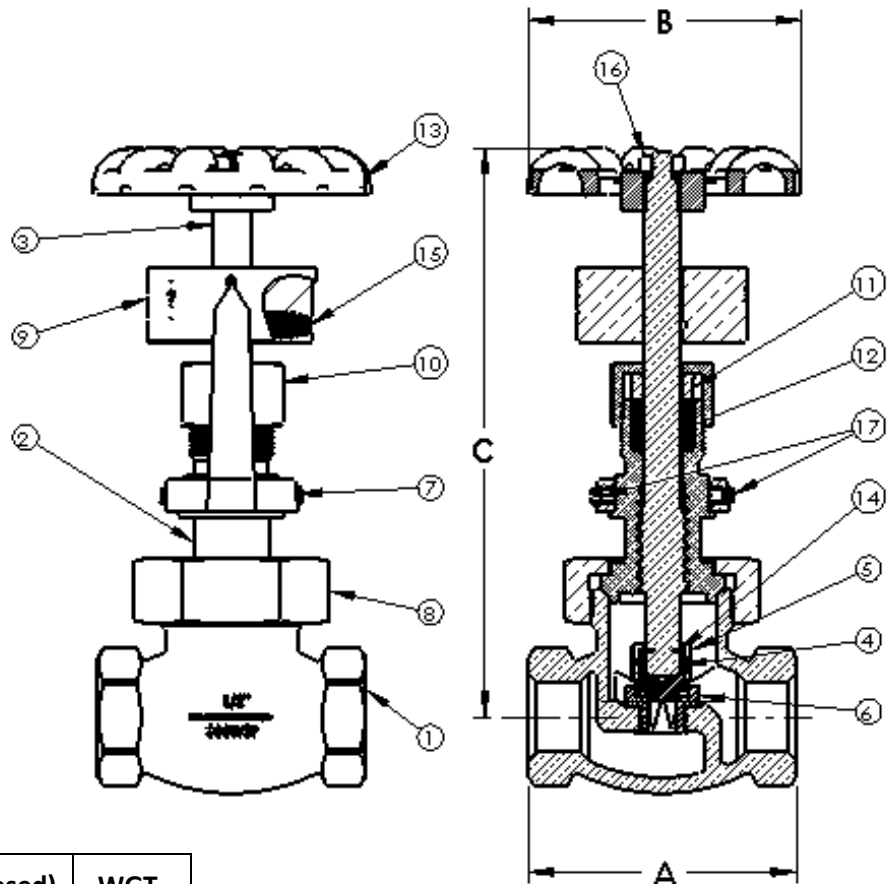
Model 363 Continuous Blow-Down Needle Valve

Complies with MSS-SP -80-2013



Class 300 • 100% Pressure Tested
 Globe Pattern • Threaded Ends
 Rising Stem with Swivel Disc Holder
 Calibrated “Easy to Read” Gauge with Pointer
 Stainless Steel Seat & Disc Hardened to 60 Rockwell “C”
 Max Pressure 390 PSI @ 500° F • Max. Pressure for
 Boiler Blow-Down 312 PSI
 CRN OCO7135.2C

MATERIAL LIST		
NO.	DESCRIPTION	MATERIAL
1	Body	Bronze
2	Bonnet	Bronze
3	Stem	Bronze
4	Valve Meter	Stainless
5	Meter Nut	Brass
6	Seat Ring	Stainless
7	Yoke	Bronze
8	Union Nut	Bronze
9	Gage Collar	Brass
10	Packing Nut	Brass
11	Packing Gland	Brass
12	Packing	NAFG
13	Hand Wheel	Zinc
14	E-Clip	Stainless
15	Set Screw	Stainless
16	Hex Nut	Stainless
17	Set Screw	Stainless



SIZE	A	B	C (Open)	C (Closed)	WGT.
1/2"	2.68	2.75	6.0	5.7	2.55
3/4"	3.10	2.75	6.6	6.3	3.25