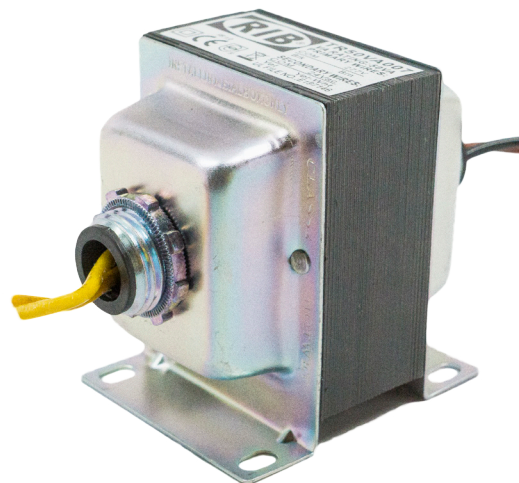
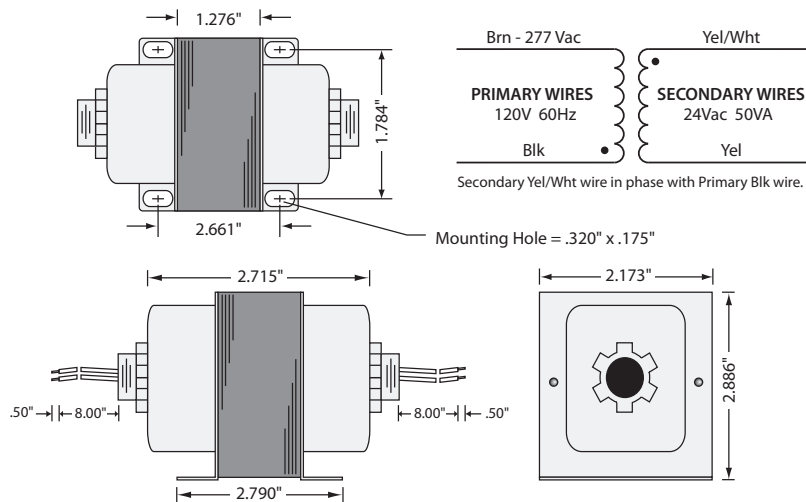


TRANSFORMER

TR50VA007

Transformer 50 VA, 277 to 24 Vac, Foot and Dual Threaded Hub Mount



SPECIFICATIONS

- VA Rating:** 50
- Frequency:** 50/60 Hz
- Mounting:** Foot & Dual Threaded Hubs
- Over Current Protection:** 3 Amp Fuse (Fuse not field replaceable)
- Dimensions:** 2.715" x 2.173" x 2.886" (w/ .500" NPT Hubs)
- Wire Length:** 8" Typical w/ .5" Strip
- Operating Temperature:** -30 to 140° F
 - MTBF: 100,000 Hours @ 77° F
- Construction:** Split-Bobbin
- Weight:** 2.00 lbs.
- Approvals:** Class 2 UL5085-3 Listed, C-UL, CE, RoHS