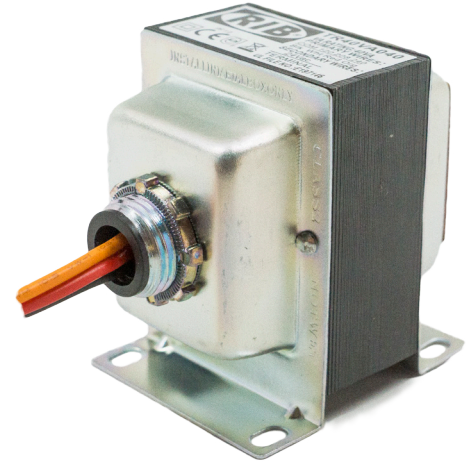
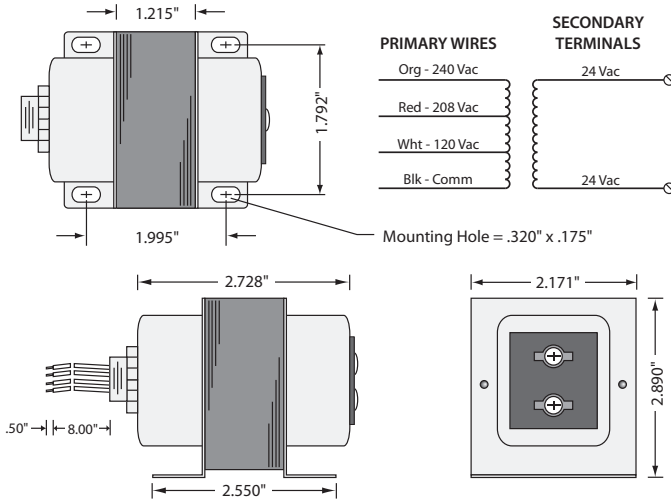


TRANSFORMER

TR40VA040

Transformer 40 VA, 240/208/120 to 24 Vac, Dual Terminal Secondary, Foot and Single Threaded Hub Mount



SPECIFICATIONS

- VA Rating:** 40VA
- Frequency:** 50/60 Hz
- Mounting:** Foot & Single Threaded Hub
TRMP44K0 Mounting Plate Provided
- Over Current Protection:** Thermal Fuse (Fuse not field replaceable)
- Dimensions:** 2.728" x 2.171" x 2.890" (w/ .500" NPT Hub)
- Wire Length:** 8" Typical w/ .5" Strip
- Operating Temperature:** -30 to 140° F
MTBF: 100,000 Hours @ 77° F
- Construction:** Split-Bobbin
- Weight:** 2.20 lbs.
- Approvals:** Class 2 UL5085-3 Listed, C-UL, CE, RoHS