

**Therma Trim — Fin Tube Baseboard  
Weil-McLain**

**Therma Trim**

- ▶ **STYLISH NEW DESIGN**
- ▶ **DELIVERS MAXIMUM COMFORT**
- ▶ **CAN BE PAINTED TO MATCH ANY DÉCOR**
- ▶ **EASY TO CLEAN**
- ▶ **QUIET OPERATION**
- ▶ **AVAILABLE IN A VARIETY OF LENGTHS**



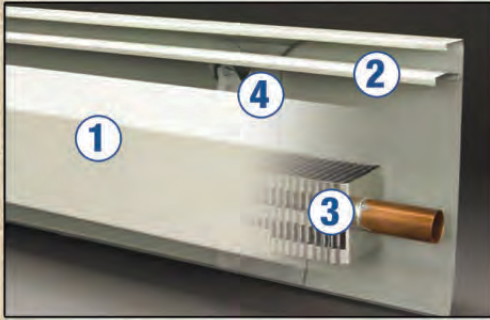
**WEIL-McLAIN**

[www.weil-mclain.com](http://www.weil-mclain.com)

# Therma Trim Design Features

Weil-McLain Therma Trim Baseboard is designed for hydronic heating installations in homes and apartments. It is an attractive, clean-lined, functional baseboard that fits into any décor from traditional to ultra modern. Therma Trim is finished in a modern white baked enamel, but may be painted to match woodwork or walls.

The variety of enclosures and element lengths and the choice of accessories permits fast, easy installation. Silent expansion glides reduce metal-to-metal expansion noise. In every detail, Therma Trim reflects the Weil-McLain philosophy of manufacturing only the highest quality hydronic heating equipment.



## (1) Front & Back Panels

Blends smoothly and attractively into any décor from traditional to ultra modern. The front and back panels have been designed with stylish folds that enhance the rigidity of the enclosure.

## (2) Damper

Permits room-by-room temperature control with finger touch movement.

## (3) Element

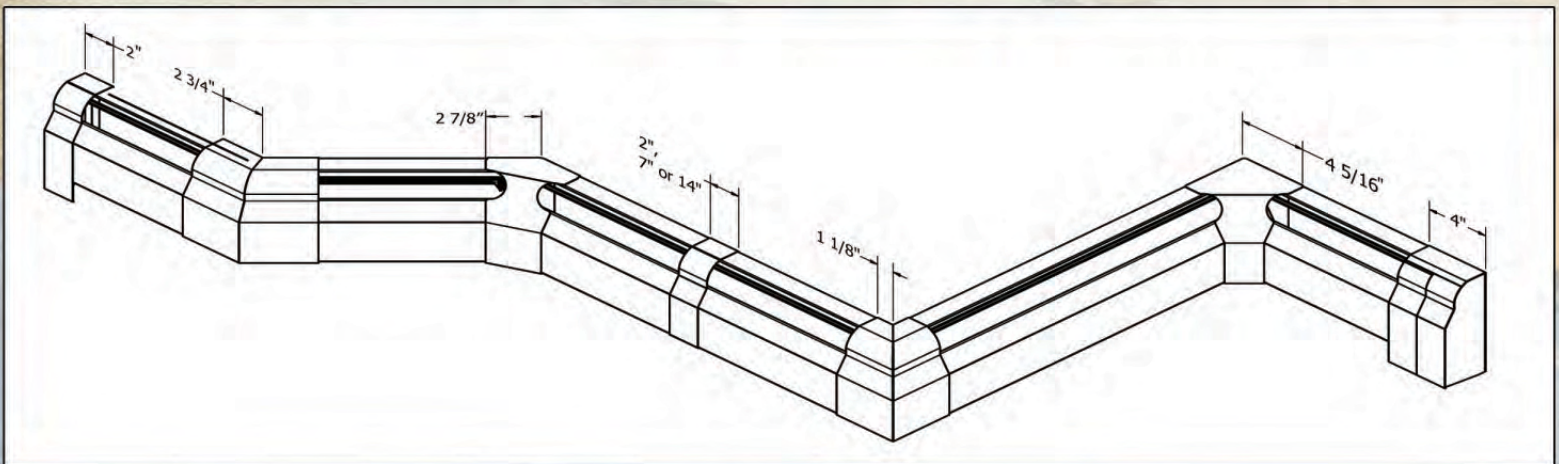
Permanently bonded aluminum fins provide greater heat output.

## (4) Element Brackets

Pre-installed in the back panel with return tube hanger.

# Therma Trim Accessories

Therma Trim accessories are designed to match the clean attractive lines of the baseboard. End caps are plain or hinged to allow easy access to vents and valves. The 2" full front splice covers joints and permits independent operation of dampers. One-piece corner accessories – outside, inside, and bay – make installation easier and enhance the appearance of the finished installation.



**Filler Sleeve**



**Hinged End Cap**



**Outside Corner**



**Inside Corner**

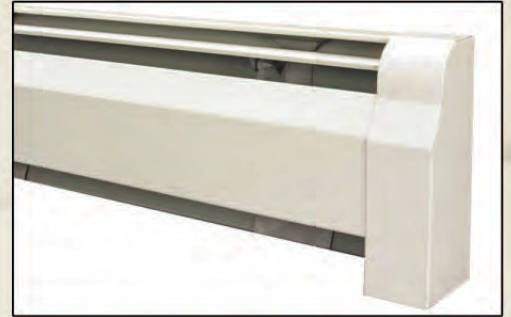


**2" Splice**

# Therma Trim Design Advantages

## Front and Back Panels

- Durable 18 gauge steel for maximum strength
- Snap on design for easy installation and simple removal for cleaning
- Available in lengths from 2 to 8 feet
- Broad range of finishing accessories that reduce on-the-job cutting and offer a professional, clean appearance

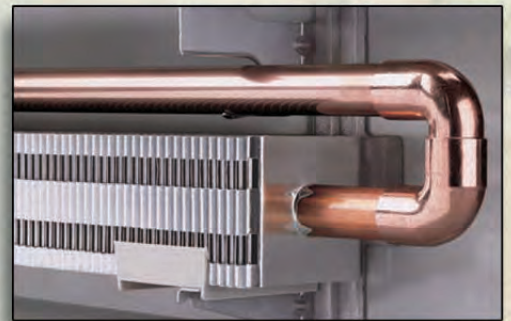


## Damper

- Unique pivot design for easy “one finger touch” operation
- Multi-position capabilities to provide maximum comfort in every room
- Easily detachable from the element brackets for cleaning
- Color-coordinated for an attractive, clean line appearance

## Element

- Includes  $\frac{3}{4}$ " copper tube for maximum heat transfer
- Element tubes are flared at one end, eliminating the need for couplings when joining two lengths
- Fully collared corrugated aluminum fins are permanently bonded for safe, easy handling



## Element Brackets

- Plastic glides provide a snug fit and reduced expansion noises
- Return tube hanger built into the top arm for precise placement

# Therma Trim Specifications



## Ratings

Water Flow Rate in GPM	Single Element Therma Trim - Model TT 3/4" - Average Water Temperature (°F)											
	110°F	120°F	130°F	140°F	150°F	160°F	170°F	180°F	190°F	200°F	210°F	220°F
1	150*	200*	250*	300*	360	420	490	565	630	690	750	820
4	160*	220*	280*	340*	400	440	520	590	660	730	790	860

\*Ratings at 140°F and lower temperatures determined by multiplying 150°F rating by the applicable factor specified in Table E in the I=B=R Testing and Rating Standard for Baseboard radiation.

### Low Temperature Heating:

- Using low water temperatures improves operation efficiency.
- It may also improve comfort in over-sized systems.

Take advantage of these benefits by matching with a Weil-McLain high efficiency condensing boiler.

## Baseboard

Unit Length Ft.	Baseboard Enclosure with 3/4" Element		Baseboard Enclosure without Heating Element		3/4" Heating Element	
	Part Number	Approx. Shipping Weight (Lbs)	Part Number	Approx. Shipping Weight (Lbs)	Part Number	Approx. Shipping Weight (Lbs)
2	611-111-005	5	611-311-075	4	611-211-040	1
3	611-111-010	8	611-311-080	6	611-211-045	2
4	611-111-015	10	611-311-085	8	611-211-050	2
5*	611-111-020	12	611-311-090	10	611-211-055	3
6*	611-111-025	14	611-311-095	12	611-211-060	3
7*	611-111-030	17	611-311-100	14	611-211-065	4
8*	611-111-035	19	611-311-105	15	611-211-070	4

\*Splice kit included with 5 foot and larger enclosures.

### Therma Trim Model TT Water Ratings

Capacities in BTU/Hr. per Linear Foot with 65°F Entering Air

### Notes:

Pressure drop is 0.047" of water per lineal foot at a 1 GPM flow rate, and 0.525" at a 4 GPM flow rate. Flow rates exceeding 6 GPM may result in system noise.

## Accessories

Part Number	Description	Qty. Per Carton
611-411-145	TT 4" Left Hand End Cap with Hinge	(2)
611-411-150	TT 4" Right Hand End Cap with Hinge	(2)
611-411-155	TT 2" Left Hand End Cap Non-Hinge	(2)
611-411-160	TT 2" Right Hand End Cap Non-Hinge	(2)
611-411-170	TT 7" Filler Sleeve	(1)
611-411-175	TT 14" Filler Sleeve	(1)
611-411-185	TT 2" Splice Plate	(1)
611-411-190	TT 90° Inside Corner	(2)
611-411-195	TT 90° Outside Corner	(6)
611-411-205	TT 135° Inside Bay Corner	(2)
611-411-210	TT 135° Outside Bay Corner	(6)
611-411-215	TT Damper Pivot Only	(1)
611-411-220	TT Plastic Expansion Cradle	(1)
611-411-225	TT Support Bracket with Pivot	(1)
601-111-323	TT Return Bend Fitting	(10)
611-410-801	Floor Grommet	(10)
611-410-630	Flex Riser Connector without Coupling	(1)
611-410-640	Flex Riser Connector with Coupling	(1)
611-410-803	Flex Corner Connector	(1)
611-420-670	Flex Riser Connector (1")	(1)
592-000-002	Nu-White Touch-Up Spray Paint	(1)

## Dimensions

