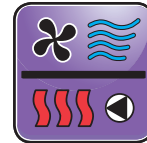


tekmar® Submittal

Boiler Control 261



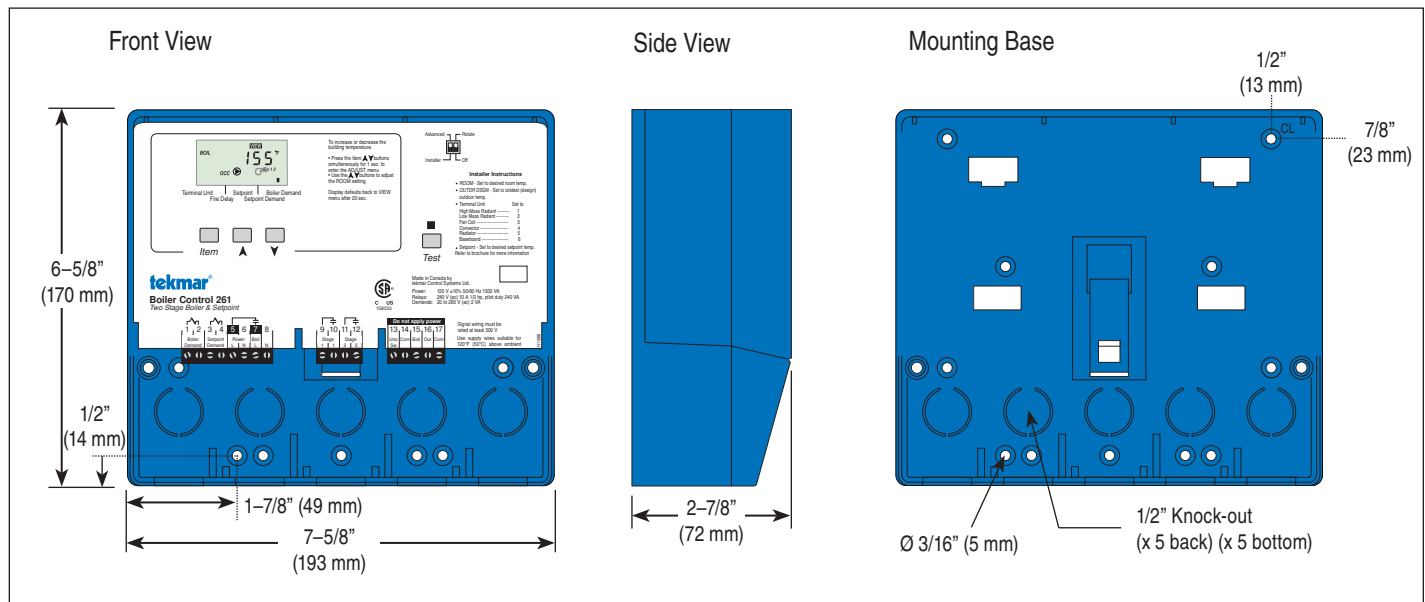
C 261

01/11

HVAC Systems Replaces: New

Job _____ Designer _____ Contact _____

The Boiler Control 261 is designed to stage multiple boilers using outdoor reset. It can be used in applications ranging from a single zone of baseboard, multiple baseboard and fan coil zones, to dedicated setpoint heating in commercial buildings. This control regulates a single heating water temperature through outdoor reset and/or setpoint target control. It is capable of controlling (stage and rotate) up to 2 on/off boilers, or a single 2 stage boiler, as well as the system pump.



Specifications

Boiler Control 261 Two Stage Boiler & Setpoint	
Literature	D261, A261, D001, D070
Control	Microprocessor control. This is not a safety (limit) control
Packaged weight	3.0 lb. (1340 g)
Dimensions	6-5/8" H x 7-9/16" W x 2-13/16" D (170 x 193 x 72 mm)
Enclosure	Blue PVC plastic, NEMA type 1
Approvals	CSA C US, meets class B: ICES & FCC Part 15
Ambient conditions	Indoor use only, 32 to 113°F (0 to 45°C), RH ≤90% Non-condensing
Power supply	120 V (ac) ±10%, 50/60 Hz, 1300 VA
Relays	240 V (ac) 10 A, 1/3 hp
Demands	20 to 260 V (ac) 2 VA
Sensors	NTC thermistor, 10 kΩ @ 77°F (25°C ±0.2°C) β=3892
-Included	Outdoor Sensor 070 and Universal Sensor 082
-Optional	tekmar type #: 033
Warranty	Limited 3 Year (See D261 for full warranty)

Energy Saving Features

- Outdoor Reset
- Setback input for energy savings
- Warm Weather Shut Down
- Automatic Boiler Differential

Additional Features

- 2 Stage boiler control
- Quick setup for easy installation and programming of control
- User comfort adjustment to increase or decrease building space temperature
- Advanced settings to fine-tune building requirements
- Pump exercising
- Powered boiler pump output
- Test sequence to ensure proper component operation
- 120 V (ac) power supply

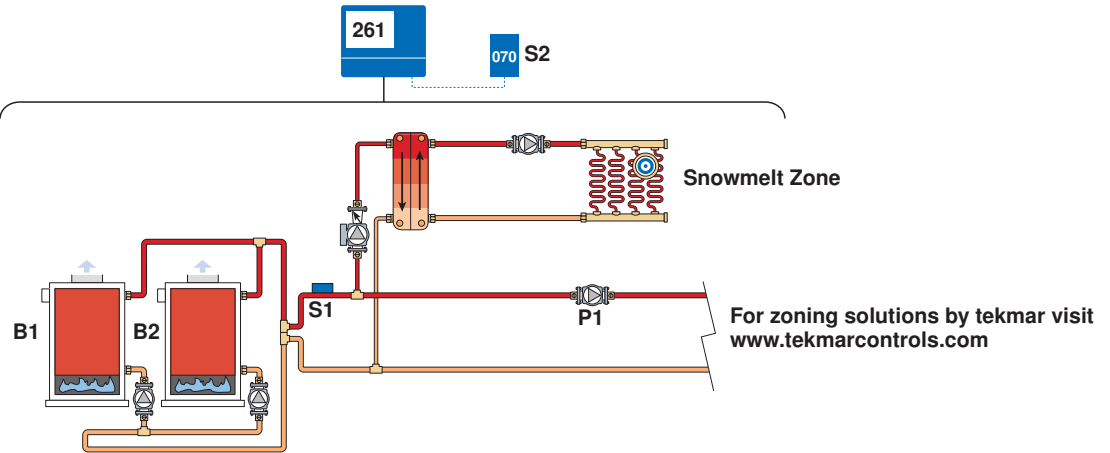
SPECIAL REQUIREMENTS

N / A

Sample Application Drawing

Below is a sample application drawing for this product. This application may include other tekmar products that are required for installation. More sample applications can be found at www.tekmarcontrols.com.

Sample Mechanical diagram

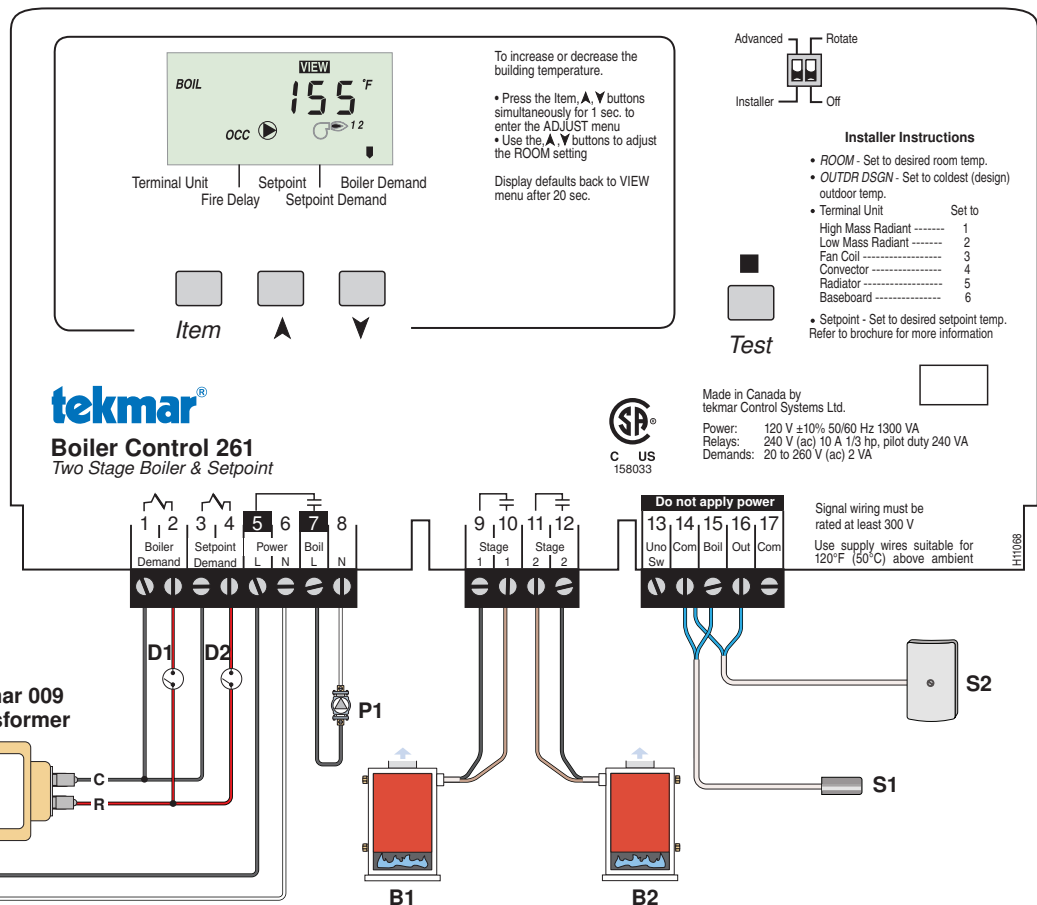


Sample Electrical diagram

Legend:

- S1 = Boiler Supply Sensor
- S2 = Outdoor Sensor
- P1 = System Pump
- B1 = Boiler 1
- B2 = Boiler 2
- D1 = Boiler Demand
- D2 = Snowmelt Setpoint Demand

* Please see C665 for snowmelt application.



tekmar Control Systems Ltd., Canada, tekmar Control Systems, Inc., U.S.A. Head Office: 5100 Silver Star Road, Vernon, B.C. Canada V1B 3K4, 250-545-7749, Fax. 250-545-0650 Web Site: www.tekmarcontrols.com

