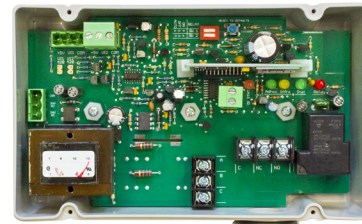
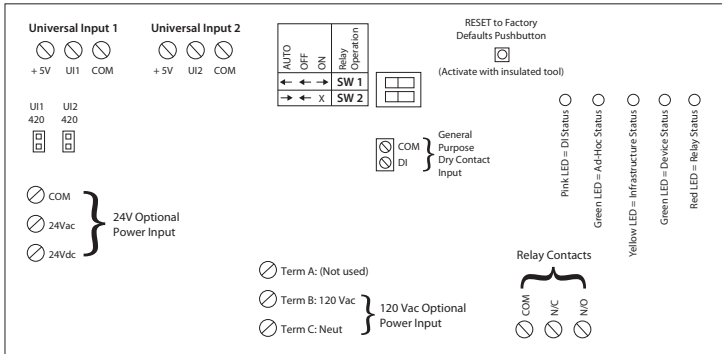




NETWORK COMPATIBLE RELAY

RIBTW2401B-WIUI-N4

Wifi IEEE 802.11 b/g Network Enclosed I/O Device: One Discrete Output (20 Amp Relay SPDT + Override), One Discrete Input (Dry Contact, Class 2); Two Universal Inputs; 24 Vac/dc, 120 Vac Power



Shown
With
Cover



Code Version 4.0.9.1.0

RELAYS

SPECIFICATIONS

Relays & Contact Type: One (1) SPDT Continuous Duty Coil
Expected Relay Life: 10 million cycles minimum mechanical
Operating Temperature: -30 to 140° F
Operate Time: 18ms
Pink LED: Digital Input Status
Green LED: Wifi Ad-Hoc Status
Yellow LED: Wifi Infrastructure Status
Green LED: Device Status
Red LED: Relay Status
Dimensions: 4.28" x 7.00" x 2.00" with .75" NPT Nipple
Wires: 16", 600V Rated
Approvals: UL Listed, UL916, C-UL
Housing Rating: UL Accepted for Use in Plenum, NEMA 4X
Gold Flash: No
Relay Override Switch: DIP Switch Control
Wifi: IEEE 802.11 b/g/n Compatible, (G)
 54 Mbps Data Rate
 -95 dBm Sensitivity
 +16 dBm Output Power
 (WPA-PSK or WPA-2-PSK Available)
 Supports PING and ARP
 DSSS Modulation
Security: Customer can choose to have Webpage and Controller Commands authentication-secured with Username and Password.

Contact Ratings:
 20 Amp Resistive @ 277 Vac
 5 Amp Resistive @ 480 Vac
 20 Amp Ballast @ 277 Vac
 16 Amp Electronic Ballast @ 277 Vac (N/O)
 10 Amp Tungsten @ 120 Vac (N/O)
 1110 VA Pilot Duty @ 277 Vac
 770 VA Pilot Duty @ 120 Vac
 1 HP @ 120 Vac
 2 HP @ 277 Vac

Power Input Ratings:
 158 mA Max @ 24 Vac
 110 mA Max @ 24 Vdc
 55 mA Max @ 120 Vac

Available TCP/IP Settings:
 • IP Address (Static)
 • Port Number
 • Subnet Mask
 • Gateway Address
 • Ad-Hoc mode (Default)
 • Infrastructure mode
 • Scan for wireless networks

Device Settings:
 • Local Override
 • Reset to Network Defaults Pushbutton

Power Input:
 24 Vac = Terminal Strip (20 Vac min. ; 28 Vac max.)
 24 Vdc = Terminal Strip (24 Vdc min. ; 28 Vdc max.)
 120 Vac = Wht/Blk Wire
 Neutral = Wht/Yel Wire

Device Settings by Network:
 • Power up default relay state
 • Host name and location labels
 • Relay bound to digital input
 • Username and Password security:
 Note: There will be no security if password field is left blank. A password may be entered that will secure the webpage as well as Controller Commands. Eight alpha-numerical characters case-sensitive.

• **Setup instructions available on website.**

http://www.functionaldevices.com/pdf/bulletins/B1783_393223.pdf



Or scan QR code with your smart phone.

CAUTION: Remove all connections to UI 1 and UI 2 when setting input.

Universal Input: Configurable by internal device web page, accessible in either Ad-Hoc or Infrastructure.

- Analog value returned, user configurable min. and max. scale, and label, 0-5 Vdc, 0-10 Vdc, or 4-20 mA*
- Direct temperature reading from Type T2 Thermistor. Connect between +5 Vdc and UI input.
- Digital Input, connect between +5 Vdc and UI input.

* 4-20 mA, when used, requires jumper to be installed on UI set for 4-20 mA input. Jumper MUST be removed when UI input used as anything other than 4-20 mA.

For application manual, please visit: www.functionaldevices.com