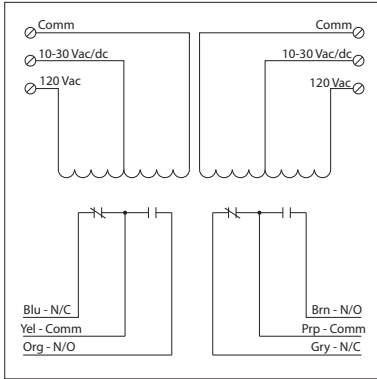


10 AMP PILOT CONTROL RELAYS

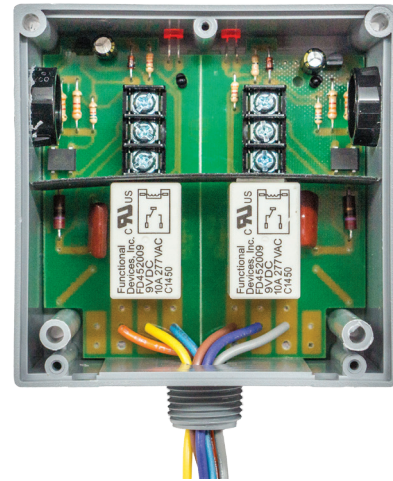
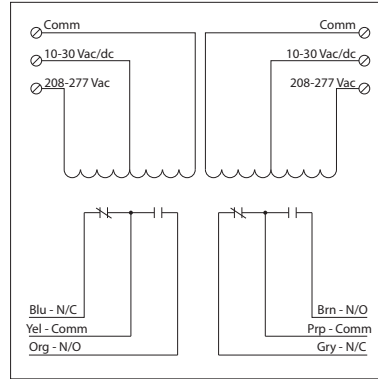
RIBTU2C

Enclosed Relays Hi/Low Separation 10 Amp
2 SPDT with 10-30 Vac/dc/**120 Vac Coil**



RIBTH2C

Enclosed Relays Hi/Low Separation 10 Amp
2 SPDT with 10-30 Vac/dc/**208-277 Vac Coil**



Made in USA
Meets
"Buy American"
of ABRA 2009

RELAYS

SPECIFICATIONS

Relays & Contact Type: Two (2) SPDT Continuous Duty Coil

Expected Relay Life: 10 million cycles minimum mechanical

Operating Temperature: -30 to 140° F

Humidity Range: 5 to 95% (noncondensing)

Operate Time: 20ms

Relay Status: LED On = Activated

Dimensions: 4.00" x 4.00" x 1.80" with .50" NPT nipple

Wires: 16", 600V Rated

Approvals: UL Listed, UL916, UL864, C-UL

California State Fire Marshal, CE, RoHS

Housing Rating: UL Accepted for Use in Plenum, NEMA 1

Gold Flash: Yes

Override Switch: No

Contact Ratings:

10 Amp Resistive @ 277 Vac

10 Amp Resistive @ 28 Vdc

480 VA Pilot Duty @ 240-277 Vac

480 VA Ballast @ 277 Vac

Not rated for Electronic Ballast

600 Watt Tungsten @ 120 Vac (N/O)

240 Watt Tungsten @ 120 Vac (N/C)

1/3 HP @ 120-240 Vac (N/O)

1/6 HP @ 120-240 Vac (N/C)

1/4 HP @ 277 Vac (N/O)

1/8 HP @ 277 Vac (N/C)

Coil Current:

33 mA @ 10 Vac

13 mA @ 10 Vdc

35 mA @ 12 Vac

15 mA @ 12 Vdc

46 mA @ 24 Vac

18 mA @ 24 Vdc

55 mA @ 30 Vac

20 mA @ 30 Vdc

28 mA @ 120 Vac (RIBTU2C)

39 mA @ 208-277 Vac (RIBTH2C)

Coil Voltage Input:

10-30 Vac/dc; 120 Vac; 50-60 Hz (RIBTU2C)

10-30 Vac/dc; 208-277 Vac; 50-60 Hz (RIBTH2C)

Drop Out = 2.1 Vac / 2.8 Vdc

Pull In = 9 Vac / 10 Vdc