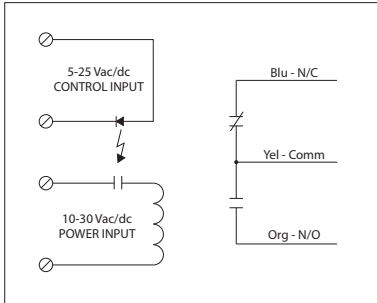


LOW COIL INPUT RELAYS

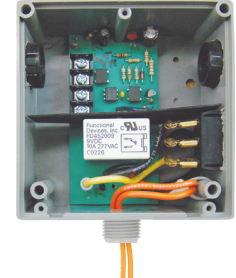
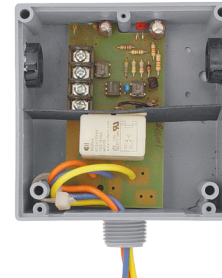
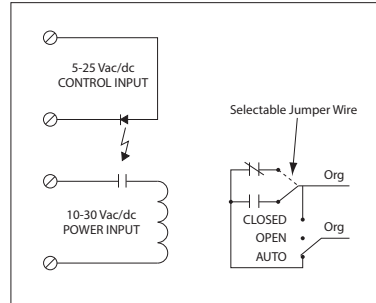
RIBTELC

Enclosed Relay Hi/Low Separation 10 Amp
SPDT, 10-30 Vac/dc Power Input + 5-25 Vac/dc
Control Input



RIBTELS

Enclosed Relay Hi/Low Separation 10 Amp
SPST + **Override**, 10-30 Vac/dc Power Input
+ 5-25 Vac/dc Control Input



SPECIFICATIONS

Power Input: 10-30 Vac/dc, 50-60 Hz
Control Input: 5-25 Vac/dc, 50-60 Hz
Relays & Contact Type: One (1) SPDT Continuous Duty Coil
Expected Relay Life: 10 million cycles minimum mechanical
Operating Temperature: -30 to 140° F
Humidity Range: 5 to 95% (noncondensing)
Operate Time: 20ms
Relay Status: LED On = Activated
Dimensions: 4.00" x 4.00" x 1.80" with .50" NPT Nipple
Wires: 16", 600V Rated
Approvals: UL Listed, UL916, UL864, C-UL
 California State Fire Marshal, CE, RoHS
Housing Rating: UL Accepted for Use in Plenum, NEMA 1
Gold Flash: Yes (RIBTELC), No (RIBTELS)
Override Switch: No (RIBTELC), Yes (RIBTELS)

Contact Ratings:
 10 Amp Resistive @ 120-277 Vac
 10 Amp Resistive @ 28 Vdc
 480 VA Pilot Duty @ 240-277 Vac
 480 VA Ballast @ 277 Vac
Not rated for Electronic Ballast
 600 Watt Tungsten @ 120 Vac (N/O)
 240 Watt Tungsten @ 120 Vac (N/C)
 1/3 HP @ 120-240 Vac (N/O)
 1/6 HP @ 120-240 Vac (N/C)
 1/4 HP @ 277 Vac (N/O)
 1/8 HP @ 277 Vac (N/C)

Power Input Ratings:
 33 mA @ 10 Vac
 35 mA @ 12 Vac
 46 mA @ 24 Vac
 55 mA @ 30 Vac
 13 mA @ 10 Vdc
 15 mA @ 12 Vdc
 18 mA @ 24 Vdc
 20 mA @ 30 Vdc

Control Input Ratings:
 .4 mA @ 5 Vdc
 .9 mA @ 10 Vdc
 1 mA @ 12 Vdc
 2 mA @ 24 Vdc
 3 mA @ 24 Vdc
 (Non Polarized)

Notes:
 • Normally Open or Normally Closed selected by yellow jumper wire (RIBTELS)