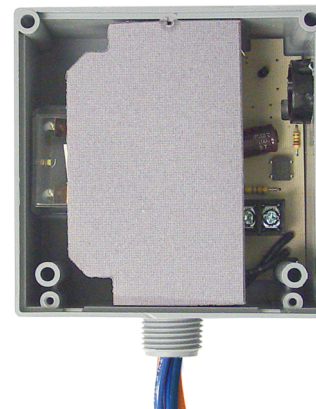
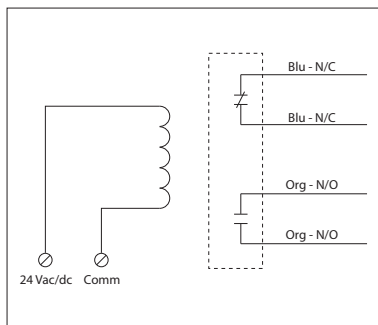


## 30 AMP POWER CONTROL RELAY

### RIBT24Z

Enclosed Relay Hi/Low Separation 30 Amp  
SPST-N/O + SPST-N/C with 24 Vac/dc Coil



RELAYS

## SPECIFICATIONS

**# Relays & Contact Type:** One (1) SPST-N/O + One (1) SPST-N/C  
Continuous Duty Coil

**Expected Relay Life:** 10 million cycles minimum mechanical

**Operating Temperature:** -30 to 140° F

**Humidity Range:** 5 to 95% (noncondensing)

**Operate Time:** 18ms

**Relay Status:** LED On = Activated

**Dimensions:** 4.00" x 4.00" x 1.80" with .50" NPT Nipple

**Wires:** 16", 600V Rated

**Approvals:** UL Listed, UL916, UL864, C-UL  
California State Fire Marshal, CE, RoHS

**Housing Rating:** UL Accepted for Use in Plenum, NEMA 1

**Gold Flash:** Yes

**Override Switch:** No

**Contact Ratings:**

30 Amp Resistive @ 300 Vac  
25 Amp Resistive @ 28 Vdc  
20 Amp Ballast @ 277-480 Vac  
*Not rated for Electronic Ballast*  
15 Amp Resistive @ 600 Vac  
770 VA Pilot Duty @ 120 Vac  
1158 VA Pilot Duty @ 240 Vac  
1109 VA Pilot Duty @ 277 Vac  
1640 VA Pilot Duty @ 480 Vac  
Heavy Pilot Duty @ 600 Vac  
3 HP @ 480-600 Vac  
2 HP @ 240-277 Vac  
1 HP @ 120 Vac

**Coil Current:**

110 mA @ 20 Vac  
138 mA @ 24 Vac  
55 mA @ 20 Vdc  
55 mA @ 24 Vdc  
77 mA @ 30 Vdc

**Coil Voltage Input:**

24 Vac/dc ; 50-60 Hz  
Drop Out = 3 Vac / 3.8 Vdc  
Pull In = 20 Vac / 20 Vdc