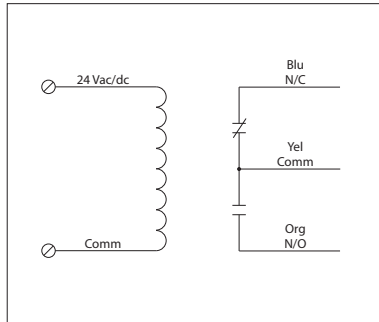


20 AMP POWER CONTROL RELAYS

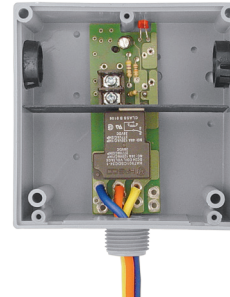
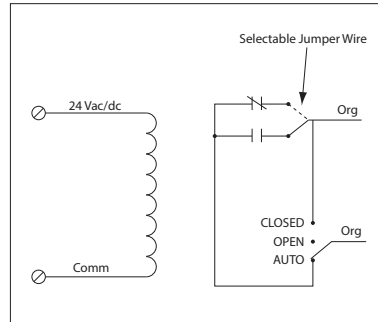
RIBT24B

Enclosed Relay Hi/Low Separation 20 Amp SPDT with 24 Vac/dc Coil



RIBT24SB

Enclosed Relay Hi/Low Separation 20 Amp SPST + **Override** with 24 Vac/dc Coil



RELAYS

SPECIFICATIONS

- # Relays & Contact Type:** One (1) SPDT Continuous Duty Coil (RIBT24B)
One (1) SPST Continuous Duty Coil (RIBT24SB)
- Expected Relay Life:** 10 million cycles minimum mechanical
- Operating Temperature:** -30 to 140° F
- Humidity Range:** 5 to 95% (noncondensing)
- Operate Time:** 18ms
- Relay Status:** LED On = Activated
- Dimensions:** 4.00" x 4.00" x 1.80" with .50" NPT Nipple
- Wires:** 16", 600V Rated
- Approvals:** UL Listed, UL916, UL864, C-UL
California State Fire Marshal, CE, RoHS
- Housing Rating:** UL Accepted for Use in Plenum, NEMA 1
- Gold Flash:** No
- Override Switch:** No (RIBT24B)
Yes (RIBT24SB)

- Contact Ratings (RIBT24B):**
- 20 Amp Resistive @ 277 Vac
- 5 Amp Resistive @ 480 Vac
- 20 Amp Ballast @ 277 Vac
- 16 Amp Electronic Ballast @ 277 Vac (N/O)
- 10 Amp Tungsten @ 120 Vac (N/O)
- 770 VA Pilot Duty @ 120 Vac
- 1,110 VA Pilot Duty @ 277 Vac
- 2 HP @ 277 Vac
- 1 HP @ 120 Vac

- Coil Current:**
- 45 mA @ 18 Vac
- 75 mA @ 24 Vac
- 30 mA @ 22 Vdc
- 32 mA @ 24 Vdc
- 42 mA @ 30 Vdc

- Coil Voltage Input:**
- 24 Vac/dc ; 50-60 Hz
- Drop Out = 2.1 Vac / 3.8 Vdc
- Pull In = 18 Vac / 22 Vdc

- Contact Ratings (RIBT24SB):**
- 20 Amp Resistive @ 277 Vac
- 20 Amp Ballast @ 277 Vac (N/O)
- 10 Amp Ballast @ 277 Vac (N/C)
- Not rated for Electronic Ballast*
- 10 Amp Tungsten @ 120 Vac (N/O)
- 770 VA Pilot Duty @ 120 Vac
- 1,110 VA Pilot Duty @ 277 Vac
- 2 HP @ 277 Vac
- 1 HP @ 120 Vac

- Notes:**
- Normally Open or Normally Closed selected by yellow jumper wire (RIBT24SB)