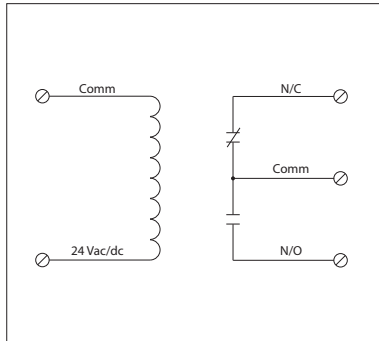


15 AMP TRACK MOUNT CONTROL RELAYS

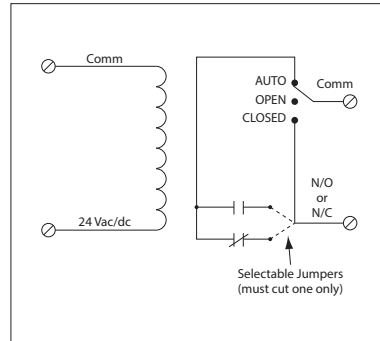
RIBMN24C

2.75" Track Mount Relay 15 Amp SPDT with 24 Vac/dc Coil



RIBMN24S

2.75" Track Mount Relay 15 Amp SPST + Override with 24 Vac/dc Coil



Cut for N/O
Cut for N/C

RELAYS

SPECIFICATIONS

Relays & Contact Type: One (1) SPDT Continuous Duty Coil (RIBMN24C)
One (1) SPST Continuous Duty Coil (RIBMN24S)

Expected Relay Life: 10 million cycles minimum mechanical

Operating Temperature: -30 to 140° F

Humidity Range: 5 to 95% (noncondensing)

Operate Time: 6ms

Relay Status: LED On = Activated

Dimensions: 1.100" x 2.750" x 1.750" (RIBMN24C)
1.250" x 2.750" x 1.750" (RIBMN24S)

Track Mount: 2.750", See MT212 Series on page 152
MT212 Mounting Track Sold Separately

Approvals: UL Listed, UL916, UL864, C-UL
California State Fire Marshal, CE, RoHS

Gold Flash: No

Override Switch: No (RIBMN24C)
Yes (RIBMN24S)

Contact Ratings:
15 Amp General Use @ 125 Vac
10 Amp General Use @ 277 Vac
10 Amp Resistive @ 30 Vdc (N/O)
7 Amp Resistive @ 30 Vdc (N/C)
1/2 HP @ 125 Vac
1 HP @ 250 Vac
1/4 HP @ 277 Vac
C300 Pilot Duty

Coil Current:
26 mA @ 20 Vac
31 mA @ 24 Vac
48 mA @ 35 Vac
14 mA @ 20 Vdc
18 mA @ 24 Vdc
28 mA @ 35 Vdc

Coil Voltage Input:
24 Vac/dc ; 50-60 Hz
Drop Out = 3 Vac / 3.8 Vdc
Pull In = 20 Vac / 20 Vdc

Notes:
• Must cut appropriate jumper to select Normally Open or Normally Closed (RIBMN24S)