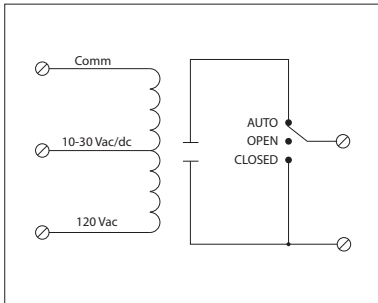


15 AMP TRACK MOUNT CONTROL RELAYS

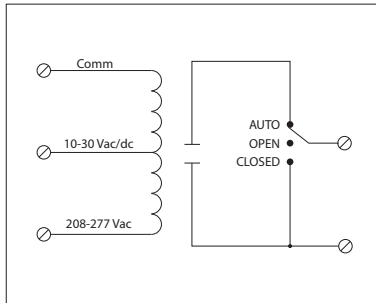
RIBMU1S

4.00" Track Mount Relay 15 Amp SPST-N/O + Override with 10-30 Vac/dc/120 Vac Coil

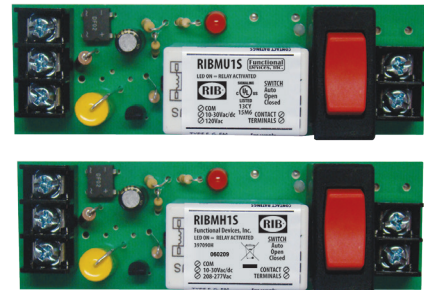


RIBMH1S

4.00" Track Mount Relay 15 Amp SPST-N/O + Override with 10-30 Vac/dc/208-277 Vac Coil



Meets "Buy American" of ARRA 2009



RELAYS

SPECIFICATIONS

- # Relays & Contact Type: One (1) SPST Continuous Duty Coil
- Expected Relay Life: 10 million cycles minimum mechanical
- Operating Temperature: -30 to 140° F
- Humidity Range: 5 to 95% (noncondensing)
- Operate Time: 20ms
- Relay Status: LED On = Activated
- Dimensions: 1.275" x 4.000" x 1.750"
- Track Mount: 4.000"; See MT4 Series on page 152
- Approvals: UL Listed, UL916, UL864, C-UL California State Fire Marshal, CE, RoHS
- Gold Flash: Yes
- Override Switch: Yes

- Contact Ratings:**
- 15 Amp Resistive @ 150 Vac
 - 10 Amp Resistive @ 277 Vac
 - 480 VA Pilot Duty @ 277 Vac
 - 480 VA Ballast @ 277 Vac
 - Not rated for Electronic Ballast
 - 600 Watt Tungsten @ 120 Vac (N/O)
 - 240 Watt Tungsten @ 120 Vac (N/C)
 - 1/3 HP @ 120-240 Vac (N/O)
 - 1/6 HP @ 120-240 Vac (N/C)
 - 1/4 HP @ 277 Vac (N/O)
 - 1/8 HP @ 277 Vac (N/C)

- Coil Voltage Input:**
- 10-30 Vac/dc ; 120 Vac ; 50-60 Hz (RIBMU1S)
 - 10-30 Vac/dc ; 208-277 Vac ; 50-60 Hz (RIBMH1S)
 - Drop Out = 2.1 Vac / 2.8 Vdc
 - Pull In = 9 Vac / 10 Vdc

- Coil Current:**
- | | |
|-------------------------------|----------------|
| 33 mA @ 10 Vac | 13 mA @ 10 Vdc |
| 35 mA @ 12 Vac | 15 mA @ 12 Vdc |
| 46 mA @ 24 Vac | 18 mA @ 24 Vdc |
| 55 mA @ 30 Vac | 20 mA @ 30 Vdc |
| 28 mA @ 120 Vac (RIBMU1S) | |
| 39 mA @ 208-277 Vac (RIBMH1S) | |

- Notes:**
- Order Normally Closed by adding "-NC" to end of model number