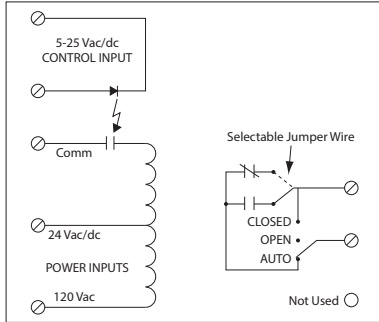


**LOW COIL INPUT TRACK MOUNT RELAYS**

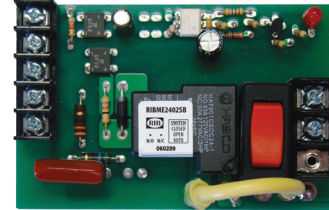
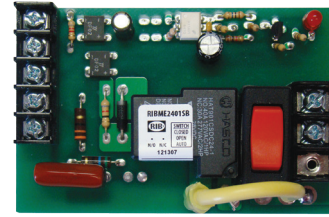
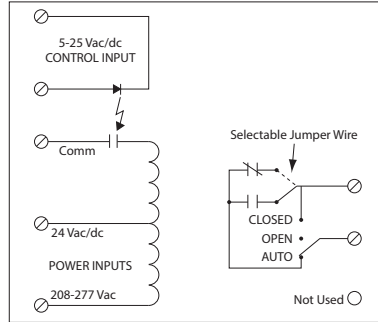
**RIBME2401SB**

4.00" Track Mount Relay 20 Amp SPST + Override,  
24 Vac/dc/**120 Vac Power Input** +  
5-25 Vac/dc Control Input



**RIBME2402SB**

4.00" Track Mount Relay 20 Amp SPST + Override,  
24 Vac/dc/**208-277 Vac Power Input** +  
5-25 Vac/dc Control Input



RELAYS

**SPECIFICATIONS**

- Power Input:** 24 Vac/dc/120 Vac, 50-60 Hz (RIBME2401SB)  
24 Vac/dc/208-277 Vac, 50-60 Hz (RIBME2402SB)
- Control Input:** 5-25 Vac/dc, 50-60 Hz
- # Relays & Contact Type:** One (1) SPST Continuous Duty Coil
- Expected Relay Life:** 10 million cycles minimum mechanical
- Operating Temperature:** -30 to 140° F
- Humidity Range:** 5 to 95% (noncondensing)
- Operate Time:** 18ms
- Relay Status:** LED On = Activated
- Dimensions:** 2.550" x 4.000" x 1.750"
- Track Mount:** 4.000", See MT4 Series on page 152  
**MT4 Mounting Track Sold Separately**
- Approvals:** UL Listed, UL916, UL864, C-UL  
California State Fire Marshal, CE, RoHS
- Gold Flash:** No
- Override Switch:** Yes

- Contact Ratings:**  
20 Amp Resistive @ 277 Vac  
1110 VA Pilot Duty @ 277 Vac  
770 VA Pilot Duty @ 120 Vac  
20 Amp Ballast @ 277 Vac (N/O)  
10 Amp Ballast @ 277 Vac (N/C)  
*Not rated for Electronic Ballast*  
10 Amp Tungsten @ 120 Vac (N/O)  
240 Watt Tungsten @ 120 Vac (N/C)  
2 HP @ 277 Vac  
1 HP @ 120 Vac

- Control Input Ratings:**  
.4 mA @ 5 Vdc    2 mA @ 24 Vdc  
.9 mA @ 10 Vdc    3 mA @ 24 Vdc  
1 mA @ 12 Vdc    (Non Polarized)

- Power Input Ratings:**  
50 mA @ 18 Vac    33 mA @ 22 Vdc  
83 mA @ 24 Vac    35 mA @ 24 Vdc  
47 mA @ 120 Vac (RIBME2401SB)    47 mA @ 30 Vdc  
69 mA @ 208-277 Vac (RIBME2402SB)

- Notes:**  
• Normally Open or Normally Closed selected by yellow jumper wire