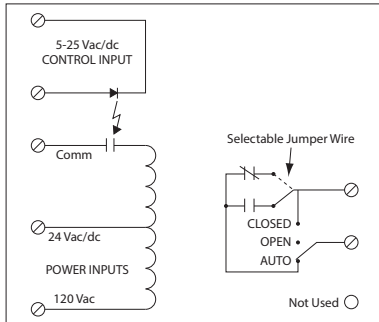


LOW COIL INPUT TRACK MOUNT RELAYS

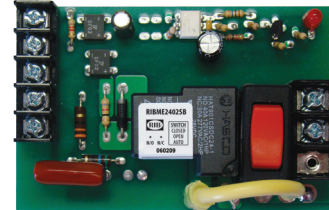
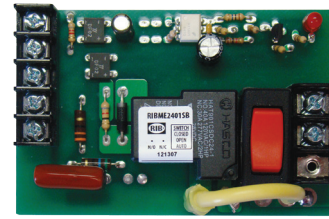
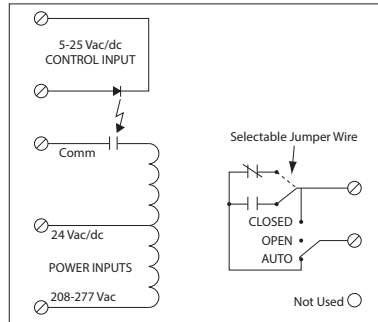
RIBME2401SB

4.00" Track Mount Relay 20 Amp SPST + Override,
24 Vac/dc/**120 Vac Power Input** +
5-25 Vac/dc Control Input



RIBME2402SB

4.00" Track Mount Relay 20 Amp SPST + Override,
24 Vac/dc/**208-277 Vac Power Input** +
5-25 Vac/dc Control Input



RELAYS

SPECIFICATIONS

- Power Input:** 24 Vac/dc/120 Vac, 50-60 Hz (RIBME2401SB)
24 Vac/dc/208-277 Vac, 50-60 Hz (RIBME2402SB)
- Control Input:** 5-25 Vac/dc, 50-60 Hz
- # Relays & Contact Type:** One (1) SPST Continuous Duty Coil
- Expected Relay Life:** 10 million cycles minimum mechanical
- Operating Temperature:** -30 to 140° F
- Humidity Range:** 5 to 95% (noncondensing)
- Operate Time:** 18ms
- Relay Status:** LED On = Activated
- Dimensions:** 2.550" x 4.000" x 1.750"
- Track Mount:** 4.000", See MT4 Series on page 152
MT4 Mounting Track Sold Separately
- Approvals:** UL Listed, UL916, UL864, C-UL
California State Fire Marshal, CE, RoHS
- Gold Flash:** No
- Override Switch:** Yes

- Contact Ratings:**
20 Amp Resistive @ 277 Vac
1110 VA Pilot Duty @ 277 Vac
770 VA Pilot Duty @ 120 Vac
20 Amp Ballast @ 277 Vac (N/O)
10 Amp Ballast @ 277 Vac (N/C)
Not rated for Electronic Ballast
10 Amp Tungsten @ 120 Vac (N/O)
240 Watt Tungsten @ 120 Vac (N/C)
2 HP @ 277 Vac
1 HP @ 120 Vac

- Control Input Ratings:**
.4 mA @ 5 Vdc 2 mA @ 24 Vdc
.9 mA @ 10 Vdc 3 mA @ 24 Vdc
1 mA @ 12 Vdc (Non Polarized)

- Power Input Ratings:**
50 mA @ 18 Vac 33 mA @ 22 Vdc
83 mA @ 24 Vac 35 mA @ 24 Vdc
47 mA @ 120 Vac (RIBME2401SB) 47 mA @ 30 Vdc
69 mA @ 208-277 Vac (RIBME2402SB)

- Notes:**
• Normally Open or Normally Closed selected by yellow jumper wire