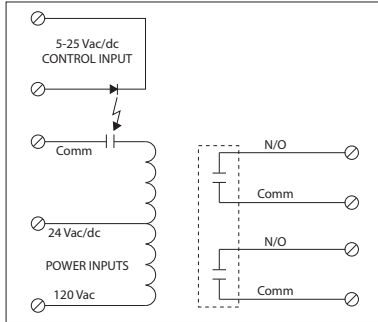


LOW COIL INPUT TRACK MOUNT RELAYS

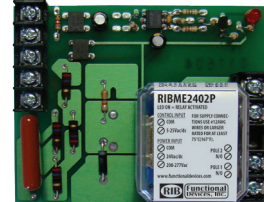
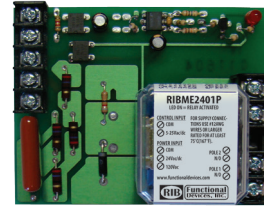
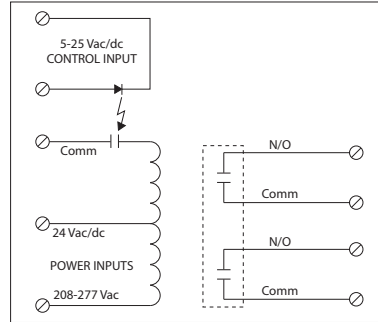
RIBME2401P

4.00" Track Mount Relay 20 Amp DPST,
24 Vac/dc/120 Vac Power Input +
5-25 Vac/dc Control Input



RIBME2402P

4.00" Track Mount Relay 20 Amp DPST,
24 Vac/dc/208-277 Vac Power Input +
5-25 Vac/dc Control Input



RELAYS

SPECIFICATIONS

- Power Input:** 24 Vac/dc/120 Vac, 50-60 Hz (RIBME2401P)
24 Vac/dc/208-277 Vac, 50-60 Hz (RIBME2402P)
- Control Input:** 5-25 Vac/dc, 50-60 Hz
- # Relays & Contact Type:** One (1) DPST Continuous Duty Coil
- Expected Relay Life:** 10 million cycles minimum mechanical
- Operating Temperature:** -30 to 140° F
- Humidity Range:** 5 to 95% (noncondensing)
- Operate Time:** 18ms
- Relay Status:** LED On = Activated
- Dimensions:** 3.100" x 4.000" x 2.750"
- Track Mount:** 4.000"; See MT4 Series on page 152
MT4 Mounting Track Sold Separately
- Approvals:** UL Listed, UL916, UL864, C-UL
California State Fire Marshal, CE, RoHS
- Gold Flash:** Yes
- Override Switch:** No

- Contact Ratings:**
- 20 Amp Resistive @ 300 Vac
- 20 Amp Resistive @ 28 Vdc, 15 Vdc
- 20 Amp Ballast @ 277-480 Vac
Not rated for Electronic Ballast
- 15 Amp Resistive @ 600 Vac
- 770 VA Pilot Duty @ 120 Vac
- 1158 VA Pilot Duty @ 240 Vac
- 1110 VA Pilot Duty @ 277 Vac
- 1640 VA Pilot Duty @ 480 Vac
- 3 HP @ 480-600 Vac
- 2 HP @ 240-277 Vac
- 1 HP @ 120 Vac

- Power Input Ratings:**
- 138 mA @ 24 Vac
- 105 mA @ 120 Vac (RIBME2401P)
- 105 mA @ 208-277 Vac (RIBME2402P)
- 77 mA @ 30 Vdc
- Control Input Ratings:**
- .4 mA @ 5 Vdc
- .9 mA @ 10 Vdc
- 1 mA @ 12 Vdc
- 2 mA @ 24 Vdc
- 3 mA @ 24 Vac
(Non Polarized)