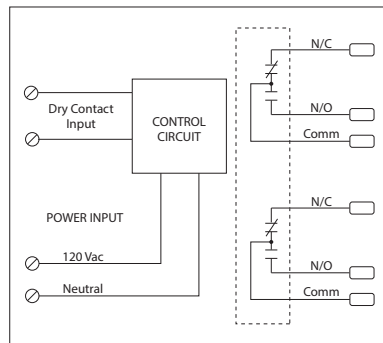


DRY CONTACT INPUT TRACK MOUNT RELAYS

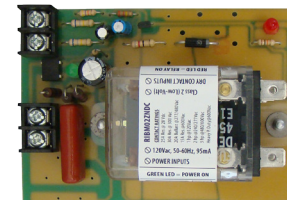
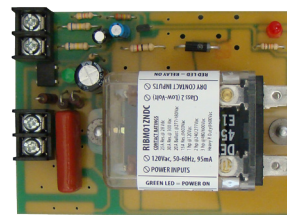
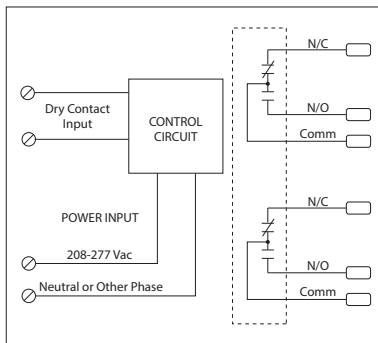
RIBM01ZND

4.00" Track Mount Relay 30 Amp DPDT, Class 2
Dry Contact Input, 120 Vac Power Input



RIBM02ZND

4.00" Track Mount Relay 30 Amp DPDT, Class 2
Dry Contact Input, 208-277 Vac Power Input



Made in USA
Meets
"Buy American"
of ARRA 2009

RELAYS

SPECIFICATIONS

- # Relays & Contact Type: One (1) DPDT Continuous Duty Coil
- Expected Relay Life: 10 million cycles minimum mechanical
- Operating Temperature: -30 to 140° F
- Humidity Range: 5 to 95% (noncondensing)
- Operate Time: 18ms
- Relay Status: Red LED On = Activated
- Power Status: Green LED On = Activated
- Dimensions: 2.875" x 4.000" x 1.750"
- Track Mount: 4.000", See MT4 Series on page 152
MT4 Mounting Track Sold Separately
- Approvals: UL Component Recognized, UL916
C-UL, CE, RoHS
- Gold Flash: Yes
- Override Switch: No

- Contact Ratings:**
- | | |
|------------------------------|----------------------|
| 30 Amp Resistive @ 300 Vac | 770 VA @ 120 Vac |
| 25 Amp Resistive @ 28 Vdc | 1158 VA @ 240 Vac |
| 15 Amp Resistive @ 600 Vac | 1109 VA @ 277 Vac |
| 3 HP @ 480-600 Vac | 1640 VA @ 480 Vac |
| 2 HP @ 240/277 Vac | NEMA B600 Pilot Duty |
| 1 HP @ 120 Vac | |
| 20 Amp Ballast @ 277-480 Vac | |
- Not rated for Electronic Ballast*

- Power Input:**
- 95 mA @ 120 Vac (RIBM01ZND)
 - 95 mA @ 208-277 Vac (RIBM02ZND)

- Notes:**
- Dry Contact Input Operation:
Close dry contact to activate relay.