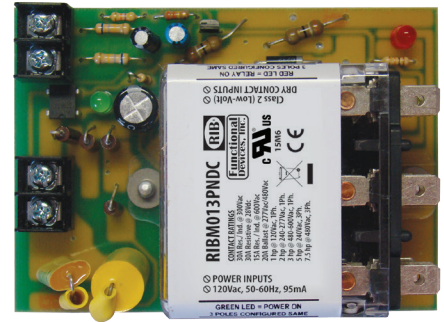
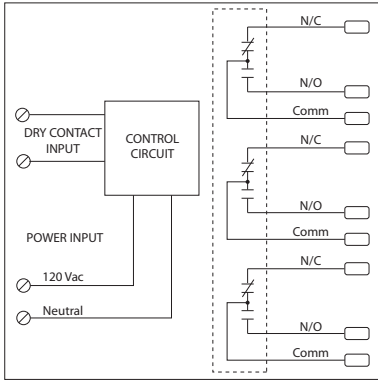


DRY CONTACT INPUT TRACK MOUNT RELAYS

RIBM013PNDC

4.00" Track Mount Relay 30 Amp 3PDT, Class 2 Dry Contact Input, 120 Vac Power Input



RELAYS

SPECIFICATIONS

- # Relays & Contact Type:** One (1) 3PDT Continuous Duty Coil
- Expected Relay Life:** 10 million cycles minimum mechanical
- Operating Temperature:** -30 to 140° F
- Humidity Range:** 5 to 95% (noncondensing)
- Operate Time:** 20ms
- Relay Status:** Red LED On = Activated
- Power Status:** Green LED On = Activated
- Dimensions:** 2.875" x 4.000" x 1.750"
- Track Mount:** 4.000", See MT4 Series on page 152
- Approvals:** UL Component Recognized, UL916 C-UL, CE, RoHS
- Gold Flash:** No
- Override Switch:** No

- Contact Ratings:**
- | | |
|------------------------------|----------------------------|
| 30 Amp Resistive @ 300 Vac | Heavy Pilot Duty |
| 30 Amp Resistive @ 28 Vdc | 770 VA @ 120 Vac, 1 Phase |
| 15 Amp Resistive @ 600 Vac | 1158 VA @ 240 Vac, 1 Phase |
| 7.5 HP @ 480 Vac, 3 Phase | 1109 VA @ 277 Vac, 1 Phase |
| 5 HP @ 240 Vac, 3 Phase | 1640 VA @ 480 Vac, 1 Phase |
| 3 HP @ 480-600 Vac, 1 Phase | 1466 VA @ 240 Vac, 3 Phase |
| 2 HP @ 240/277 Vac, 1 Phase | 2122 VA @ 480 Vac, 3 Phase |
| 1 HP @ 120 Vac, 1Phase | |
| 20 Amp Ballast @ 277-480 Vac | |
- Not rated for Electronic Ballast*

Power Input:
95 mA @ 120 Vac

- Notes:**
- Dry Contact Input Operation:
Close dry contact to activate relay.