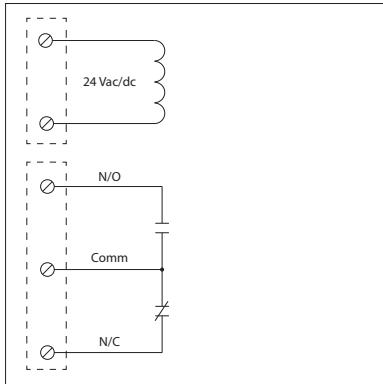


**10 AMP TRACK MOUNT CONTROL RELAYS**

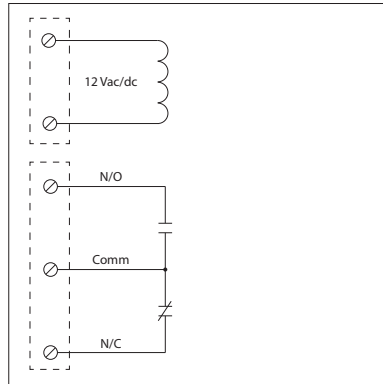
**RIBAN24C**

Track Mount Relay 10 Amp SPDT with 24 Vac/dc Coil



**RIBAN12C**

Track Mount Relay 10 Amp SPDT with 12 Vac/dc Coil



RELAYS

**REMOVABLE TERMINALS**

**SPECIFICATIONS**

**# Relays & Contact Type:** One (1) SPDT Continuous Duty Coil  
**Expected Relay Life:** 10 million cycles minimum mechanical  
**Operating Temperature:** -30 to 140° F  
**Operate Time:** 6ms  
**Relay Status:** LED On = Activated  
**Dimensions:** 1.025" x 2.750" x 2.850"  
**Terminals:** Removable, Accepts 22-16 AWG copper wires  
**Mounting:** A: 2.750" Track Mount, See MT212 Series on page 152. **MT212 Mounting Track Sold Separately.**  
 B: 35mm x 7.5mm symmetrical DIN rail EN50022  
 C: Screw Mount, See DS80625 on page 153. **DS80625 Self-Tapping Drill Screws Sold Separately.**  
 D: Current Sensor Mount, See RIBXG Series on page 94 or RIBXK Series on page 93. **Current Sensors Sold Separately.**  
**Approvals:** UL Listed, UL508, C-UL, CE, RoHS  
**Gold Flash:** No  
**Override Switch:** No

**Contact Ratings:**  
 10 Amp General Use @ 277 Vac  
 10 Amp Resistive @ 30 Vdc (N/O)  
 7 Amp Resistive @ 30 Vdc (N/C)  
 1/2 HP @ 125 Vac  
 1 HP @ 250 Vac  
 1/4 HP @ 277 Vac  
 C300 Pilot Duty

**Coil Current (RIBAN24C):**  
 26 mA @ 20 Vac  
 31 mA @ 24 Vac  
 14 mA @ 20 Vdc  
 18 mA @ 24 Vdc  
 28 mA @ 35 Vdc

**Coil Voltage Input (RIBAN24C):**  
 24 Vac/dc ; 50-60 Hz  
 Drop Out = 3 Vac / 3.8 Vdc  
 Pull In = 20 Vac / 20 Vdc

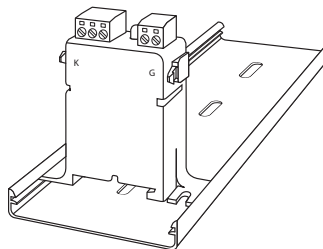
**Coil Current (RIBAN12C):**  
 53 mA @ 10 Vac  
 62 mA @ 12 Vac  
 29 mA @ 11 Vdc  
 35 mA @ 12 Vdc

**Coil Voltage Input (RIBAN12C):**  
 12 Vac/dc ; 50-60 Hz  
 Drop Out = 2 Vac / 2.5 Vdc  
 Pull In = 9 Vac / 11 Vdc

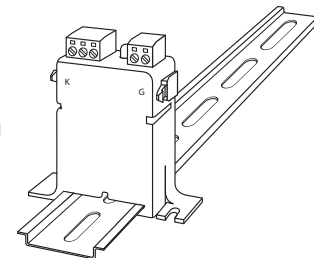
**Notes:**  
 • Set of replacement terminals available. Order model number: TS-AN

**RELAY MOUNTING OPTIONS A & B**

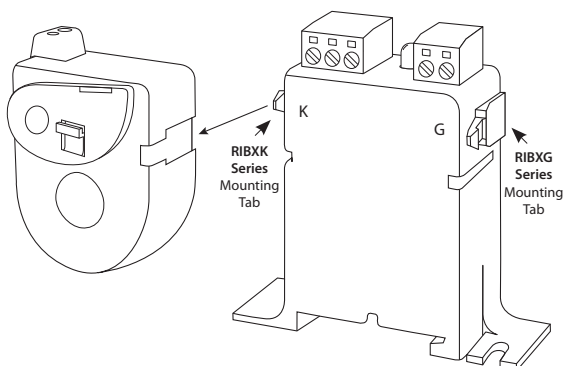
**Mounting Option A:**  
 2.75" Track Mount  
 MT212 Series



**Mounting Option B:**  
 35mm x 7.5mm symmetrical  
 DIN rail EN50022



**CURRENT SENSOR MOUNTING OPTION D**



1. Slide current sensor onto corresponding mounting tab.
2. Snap into place.
3. Depress tab to remove current sensor.

