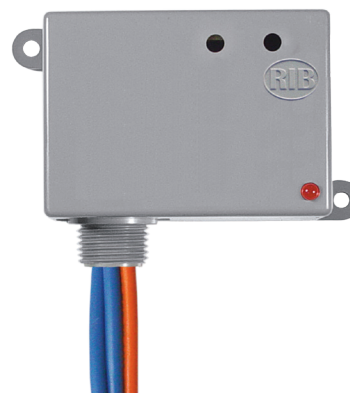
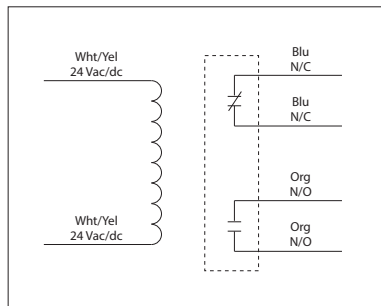


30 AMP POWER CONTROL RELAY

RIB24Z

Enclosed Relay 30 Amp SPST-N/O + SPST-N/C with 24 Vac/dc Coil



RELAYS

SPECIFICATIONS

Relays & Contact Type: One (1) SPST-N/O + SPST-N/C
Continuous Duty Coil

Expected Relay Life: 10 million cycles minimum mechanical

Operating Temperature: -30 to 140° F

Humidity Range: 5 to 95% (noncondensing)

Operate Time: 18ms

Relay Status: LED On = Activated

Dimensions: 2.30" x 3.20" x 1.80" with .50" NPT Nipple

Wires: 16", 600V Rated

Approvals: UL Listed, UL916, UL864, C-UL

California State Fire Marshal, CE, RoHS

Housing Rating: UL Accepted for Use in Plenum, NEMA 1

Gold Flash: Yes

Override Switch: No

Contact Ratings:

30 Amp Resistive @ 300 Vac

25 Amp Resistive @ 28 Vdc

20 Amp Ballast @ 277-480 Vac

Not rated for Electronic Ballast

15 Amp Resistive @ 600 Vac

770 VA Pilot Duty @ 120 Vac

1158 VA Pilot Duty @ 240 Vac

1109 VA Pilot Duty @ 277 Vac

1640 VA Pilot Duty @ 480 Vac

Heavy Pilot Duty @ 600 Vac

3 HP @ 480-600 Vac

2 HP @ 240-277 Vac

1 HP @ 120 Vac

Coil Current:

110 mA @ 20 Vac

138 mA @ 24 Vac

55 mA @ 20 Vdc

55 mA @ 24 Vdc

77 mA @ 30 Vdc

Coil Voltage Input:

24 Vac/dc ; 50-60 Hz

Drop Out = 3 Vac / 3.8 Vdc

Pull In = 20 Vac / 20 Vdc