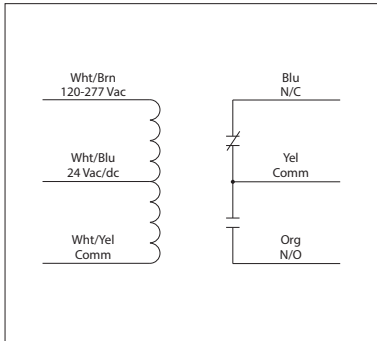


10 AMP PILOT CONTROL RELAYS

RIB2421C

Enclosed Relay 10 Amp SPDT with 24 Vac/dc/120-277 Vac Coil



RIB2421C-RD
• Red housing



RIB2421C-N4
• NEMA 4X housing, UL508 only

GREAT SERVICE TRUCK RELAY
ONE RELAY COVERS MOST APPLICATIONS



RELAYS

SPECIFICATIONS

Relays & Contact Type: One (1) SPDT Continuous Duty Coil
Expected Relay Life: 10 million cycles minimum mechanical
Operating Temperature: -30 to 140° F
Humidity Range: 5 to 95% (noncondensing)
Operate Time: 20ms
Relay Status: LED On = Activated
Dimensions: 1.70" x 2.80" x 1.50" with .50" NPT nipple
Wires: 16", 600V Rated
Approvals: UL Listed, UL916, UL864, C-UL California State Fire Marshal, CE, RoHS
Housing Rating: UL Accepted for Use in Plenum, NEMA 1
Gold Flash: No
Override Switch: No

Contact Ratings:
 10 Amp General Use @ 277 Vac
 10 Amp Resistive @ 30 Vdc (N/O)
 7 Amp Resistive @ 30 Vdc (N/C)
 1/2 HP @ 125 Vac
 1 HP @ 250 Vac
 1/4 HP @ 277 Vac
 C300 Pilot Duty

Coil Current:
 66 mA @ 24 Vac
 38 mA @ 24 Vdc
 40 mA @ 120-277 Vac

Coil Voltage Input:
 24 Vac/dc; 120-277 Vac; 50-60 Hz
 Drop Out = 3 Vac / 3.8 Vdc
 Pull In = 20 Vac / 20 Vdc