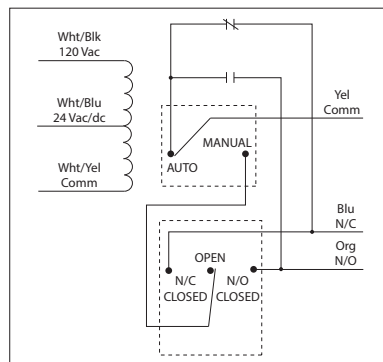


20 AMP POWER CONTROL RELAYS

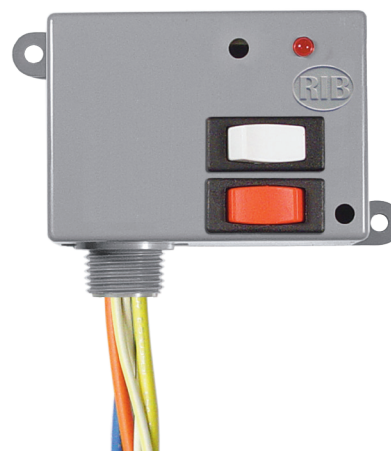
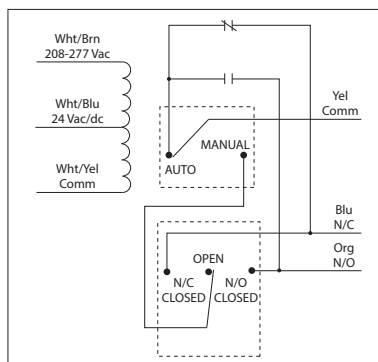
RIB2401SBC

Enclosed Relay 20 Amp SPDT + Override with 24 Vac/dc/120 Vac Coil



RIB2402SBC

Enclosed Relay 20 Amp SPDT + Override with 24 Vac/dc/208-277 Vac Coil



Made in USA
Meets "Buy American" of ARRA 2009

RELAYS

SPECIFICATIONS

Relays & Contact Type: One (1) SPDT Continuous Duty Coil

Expected Relay Life: 10 million cycles minimum mechanical

Operating Temperature: -30 to 140° F

Humidity Range: 5 to 95% (noncondensing)

Operate Time: 18ms

Relay Status: LED On = Activated

Dimensions: 2.30" x 3.20" x 1.80" with .50" NPT Nipple

Wires: 16", 600V Rated

Approvals: UL Listed, UL916, UL864, C-UL

California State Fire Marshal, CE, RoHS

Housing Rating: UL Accepted for Use in Plenum, NEMA 1

Gold Flash: No

Override Switch: Yes (2)

Contact Ratings:

20 Amp Resistive @ 277 Vac

20 Amp Ballast @ 277 Vac (N/O)

10 Amp Ballast @ 277 Vac (N/C)

Not rated for Electronic Ballast

10 Amp Tungsten @ 120 Vac (N/O)

770 VA Pilot Duty @ 120 Vac

1,110 VA Pilot Duty @ 277 Vac

2 HP @ 277 Vac

1 HP @ 120 Vac

Coil Current:

50 mA @ 18 Vac

33 mA @ 22 Vdc

83 mA @ 24 Vac

35 mA @ 24 Vdc

47 mA @ 120 Vac (RIB2401SBC)

47 mA @ 30 Vdc

69 mA @ 208-277 Vac (RIB2402SBC)

Coil Voltage Input:

24 Vac/dc; 120 Vac; 50-60 Hz (RIB2401SBC)

24 Vac/dc; 208-277 Vac; 50-60 Hz (RIB2402SBC)

Drop Out = 2.1 Vac / 3.8 Vdc

Pull In = 18 Vac / 22 Vdc