

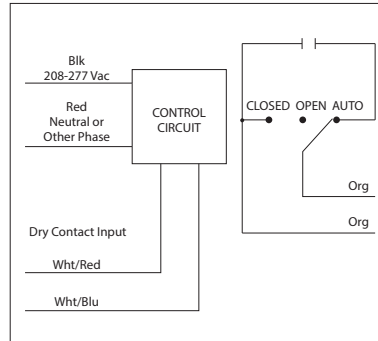
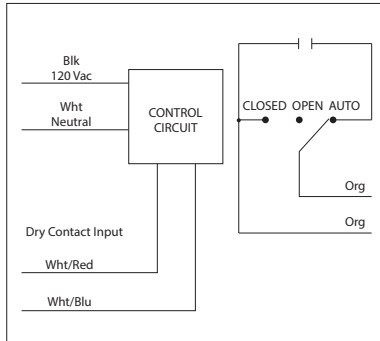
DRY CONTACT INPUT RELAYS

RIB01SBDC

Enclosed Relay 20 Amp SPST-N/O + Override, Class 2 Dry Contact Input, 120 Vac Power Input

RIB02SBDC

Enclosed Relay 20 Amp SPST-N/O + Override, Class 2 Dry Contact Input, 208-277 Vac Power Input



RELAYS

SPECIFICATIONS

- # Relays & Contact Type:** One (1) SPST Continuous Duty Coil
- Expected Relay Life:** 10 million cycles minimum mechanical
- Operating Temperature:** -30 to 140° F
- Humidity Range:** 5 to 95% (noncondensing)
- Operate Time:** 1.8 Seconds
- Relay Status:** LED On = Activated
- Dimensions:** 2.30" x 3.20" x 1.80" with .50" NPT Nipple
- Wires:** 16", 600V Rated
- Approvals:** UL Listed, UL916, C-UL, CE, RoHS
- Housing Rating:** UL Accepted for Use in Plenum, NEMA 1
- Gold Flash:** No
- Override Switch:** Yes

- Contact Ratings:**
- 20 Amp Resistive @ 277 Vac
- 1110 VA Pilot Duty @ 277 Vac
- 770 VA Pilot Duty @ 120 Vac
- 20 Amp Ballast @ 277 Vac (N/O)
- 10 Amp Ballast @ 277 Vac (N/C)
- Not rated for Electronic Ballast*
- 10 Amp Tungsten @ 120 Vac (N/O)
- 240 Watt Tungsten @ 120 Vac (N/C)
- 2 HP @ 277 Vac
- 1 HP @ 120 Vac

- Power Input:**
- 42 mA @ 120 Vac (RIB01SBDC)
- 62 mA @ 208-277 Vac (RIB02SBDC)

- Notes:**
- **Dry Contact Input Operation:** Close White/Red wire to White/Blue wire to activate relay. If more than one dry contact RIB® shares a single dry contact input, White/Blue must be common.
- Order Normally Closed by adding "-NC" to end of model number