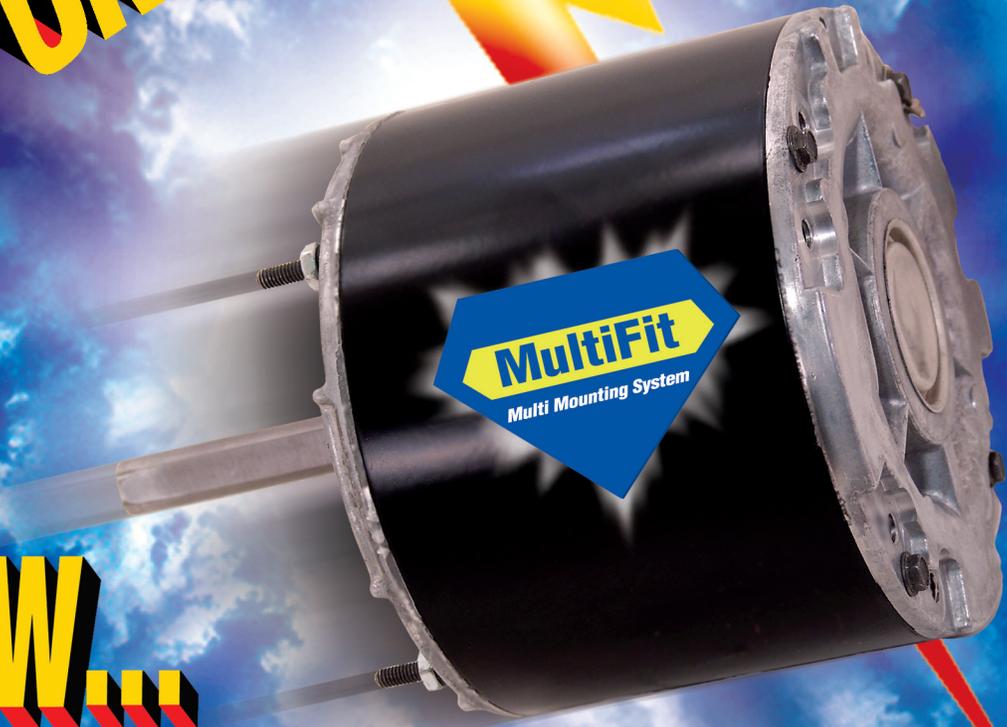


MultiFit®



Formerly A. O. Smith Electrical Products Company

**YOU WILL BELIEVE
ONE MOTOR CAN FIT**



NOW...

1075 & 1625 RPM

A Regal Brand

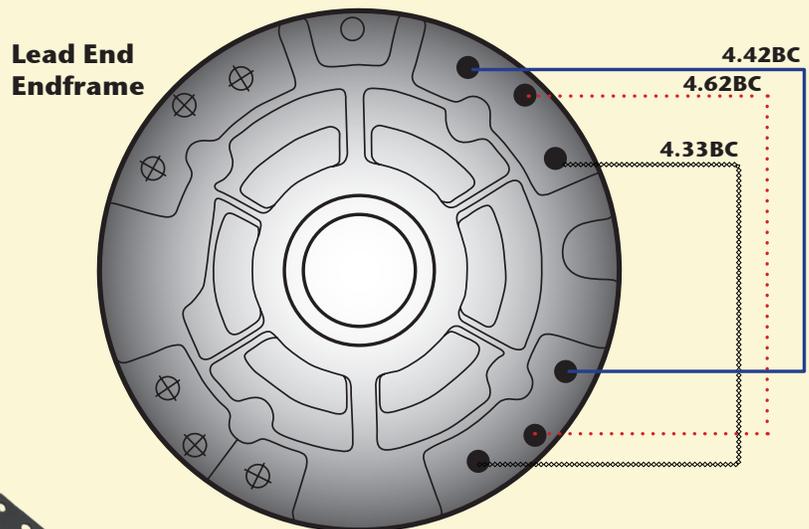


MultiFit[®]: Multi-Mounting System[™]

1. Three MultiFit 3-in-1[™] multi-horsepower motor models, 1625 RPM and 1075 RPM, replace hundreds of 1/4, 1/5, 1/6, 1/8, 1/10 or 1/12 horsepower 42 frame (5" dia.) condenser fan applications – with one simple connection
2. MultiFit motors replace motors with a 4.33, 4.42 and 4.62 inch mounting bolt circle (BC)

For quick and easy installation, each MultiFit motor is supplied with:

- Durable collar studs with 5/8" extension, 8-32 threads
- Extra mounting nuts with locking feature
- Easy-to-install plugs
- Mounting instructions with easy-to-read diagrams



Stock No. 2118

MultiFit[®] Adapter Plate

Adapts to a 48-Frame 5.15BC
Or 42-Frame 3-Point 4.42BC
(Available Separately)



MultiFit Multi-Mounting System Replaces:

4.42BC

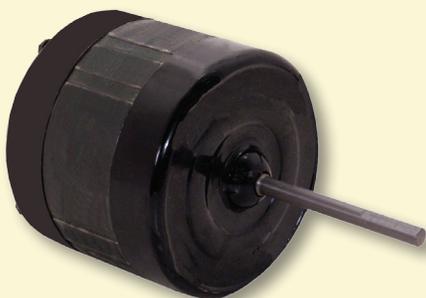
Century/Westinghouse Design
Emerson 42-Frame (5" dia.)

4.62BC

GE 42-Frame (5" dia.)
Fasco 42-Frame (5" dia.)
Century/Universal Electric Design

4.33BC

Emerson Clam-Shell
GE Cap-Can



MultiFit: Specifications

Features

- Multi-Mounting System
- Single speed multi-horsepower replacement motor uses one simple connection
- Energy-efficient PSC design
- Easy-to-read connection diagram attached to white lead wire
- Water-resistant reversing plug
- Double sealed ball bearings for dependable long life
- Rubber shaft slinger keeps water and dirt out of motor
- Water-resistant rubber grommet at lead opening
- 60°C max ambient
- Class B insulation
- Lead length 36"
- 60 Hertz
- Totally enclosed
- Continuous duty, air over
- All-angle mount
- UL and CSA recognized

One Simple Connection Eliminates Having to Select Various Speeds or Change Capacitor Sizes!



1625 RPM Model



Replaces Hundreds of 1/4-1/12 HP Applications

3-in-1 Design

Approximate Speeds and Amps in Application

Stock Number 9722			Stock Number 9723			Stock Number 9724 NEW!		
HP	Approximate RPM	Approximate Amps	HP	Approximate RPM	Approximate Amps	HP	Approximate RPM	Approximate Amps
1/8	1075	0.9	1/4	1075	2.0	1/4	1625	1.6
1/10	1135	0.6	1/5	1145	1.2	1/5	1715	1.0
1/12	1155	0.5	1/6	1165	1.0	1/6	1759	0.7

Stock Number	Replaces HP	Volts	Amps	RPM	Speeds	Frame Size	Rotation	Capacitor	Shell Length	Shaft	Weight
9722*	1/8, 1/10, 1/12	208-230	0.9	1075	1	42	Reversible	5MFD/370V	4.0"	1/2" x 3"	9.8
9723*	1/4, 1/5, 1/6	208-230	2.0	1075	1	42	Reversible	7.5MFD/370V	4.5"	1/2" x 3"	12.0
9724*	1/4, 1/5, 1/6	208-230	1.6	1625	1	42	Reversible	5MFD/370V	4.5"	1/2" x 3"	12.0

*Ball Bearing

MultiFit: Cross Reference

Stock No. 9722 (1/8, 1/10, 1/12 HP - 1075 RPM) - Stock No. 9723 (1/4, 1/5, 1/6 HP - 1075 RPM) - Stock No. 9724 (1/4, 1/5, 1/6 HP - 1625 RPM)

Mfg Part No.	Stock #
02243	9722
02244	9723
02245	9723
02246	9723
02247	9723
02248	9722
02249	9722
02250	9723
02251	9722
024-31952-001	9723
100483-02	9723
100483-04	9722
17416	9722
17465	9722
17468	9722
17475	9723
17483	9722
17484	9722
1901	9723
2243	9722
2244	9723
2245	9723
2246	9723
2247	9723
2248	9722
2249	9722
2250	9723
2251	9722
31L1901	9723
48HXCLW1562	9723

Mfg Part No.	Stock #
5KCP29BCA010RS	9724
5KCP29BCA056	9722
5KCP29BCA056AS	9722
5KCP29CCA012	9722
5KCP29CCA012S	9722
5KCP29DCA054	9722
5KCP29DCA054BS	9722
5KCP29DCA054	9722
5KCP29DC104S	9722
5KCP29DCA161	9722
5KCP29DCA161S	9722
5KCP29DCA323	9722
5KCP29DCA323S	9722
5KCP29DCA329	9722
5KCP29DCA329S	9722
5KCP29ECA033	9723
5KCP29ECA033S	9723
5KCP29ECA081	9722
5KCP29ECA081CS	9722
5KCP29ECA091	9722
5KCP29ECA091AS	9722
5KCP29ECA321	9723
5KCP29ECA321S	9723
5KCP29ECA328	9722
5KCP29ECA328S	9722
5KCP29FCA174	9723
5KCP29FCA174AS	9723
5KCP29FCA265	9723
5KCP29FCA265AS	9723

Mfg Part No.	Stock #
5KCP29FCA322	9722
5KCP29FCA322S	9722
5KCP29FCA340S	9722
5KCP29HCA055	9723
5KCP29HCA055BS	9723
5KCP29HCA055CS	9723
5KCP29HCA092	9723
5KCP29HCA092BS	9723
5KCP29HCA094	9723
5KCP29HCA094CS	9723
5KCP29HCA162	9723
5KCP29HCA162AS	9723
5KCP29HCA326	9723
5KCP29HCA326S	9723
5KCP29JCA053	9723
5KCP29JCA053BS	9723
5KCP29JCA107	9723
5KCP29JCA107S	9723
5KCP29JCA120	9723
5KCP29JCA120S	9723
5KCP29JCA163	9723
5KCP29JCA163AS	9723
5KCP29JCA324S	9723
5KCP29JCA325	9723
5KCP29JCA325S	9723
5KCP29JCA327	9723
5KCP29JCA327S	9723
5KCP29JCA329S	9723
5KCP29JGA324	9723

Mfg Part No.	Stock #
B13400252	9723
CPND151060P01	9723
CPND151268P01	9724
D1071	9723
D151060P01	9723
D151316P01	9722
DE3G104	9723
DE3G125	9723
DE3G128	9723
DE3G825	9723
DE3G828	9723
F42D29A50	9722
F42D70A50	9722
F42D78A50	9722
F42D89A50	9723
F42D90A50	9723
F42E05A50	9722
F42E29A50	9722
F42F60B85	9723
GB13400-252	9723
HC37GE232	9723
HQ1052662EM	9723
HQ1052662UN	9723
HQ1068865UN	9723
HQ1080613UN	9723
K48HXEMG3494	9723
K48HXFAS3869	9723
K48HXGCK4210	9723
K48HXTHG3866	9723
K48HXTML4007	9723



NOW AVAILABLE! FAX OR PHONE YOUR ORDER TODAY



Formerly A. O. Smith Electrical Products Company

Distribution Marketing
1325 Heil Quaker Blvd.
LaVergne, TN 37086
PH: 800-672-6495
FAX: 800-468-2062

www.hvac-motors.com

A Regal Brand

