

HEAT CONTROLLER

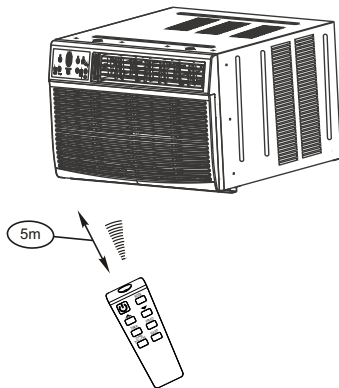
**OWNER'S &
INSTRUCTION MANUAL**

**Room Air Conditioner:
Remote Controller**

CONTENTS

Using the remote controller.....	2
Remote controller Specifications.....	3
Function buttons	4
How to use the buttons	5
Auto operation.....	5
Cooling/Heating/Fan operation	5
Dehumidifying operation	6
Sleep operation.....	6
Timer operation	7

Using the remote controller



Location of the remote controller.

- Use the remote controller within a distance of 16 ft (5m) from the appliance, pointing it towards the receiver. Reception is confirmed by a deep when a button on the remote controller is pressed.

CAUTION

- The air conditioner will not operate if curtains, doors or other materials block the signals from the remote controller to the indoor unit.
- Prevent any liquid from falling onto the remote controller. Do not expose the remote controller to direct sunlight or heat.
- If the infrared signal receiver on the indoor unit is exposed to direct sunlight, the air conditioner may not function properly. Use curtains to prevent the sunlight from falling on the receiver.
- If other electrical appliances react to the remote controller, move these appliances so that their signals don't interfere with one another.

Replacing batteries

The remote controller is powered by two AAA batteries (RO3/LRO3X2) housed in the rear of the remote's housing and protected by a cover.

- (1) Remove the cover by pressing and sliding off.
- (2) Remove the old batteries and insert the new batteries, placing the (+) and (-) ends correctly.
- (3) Reattach the cover by sliding it back into position.

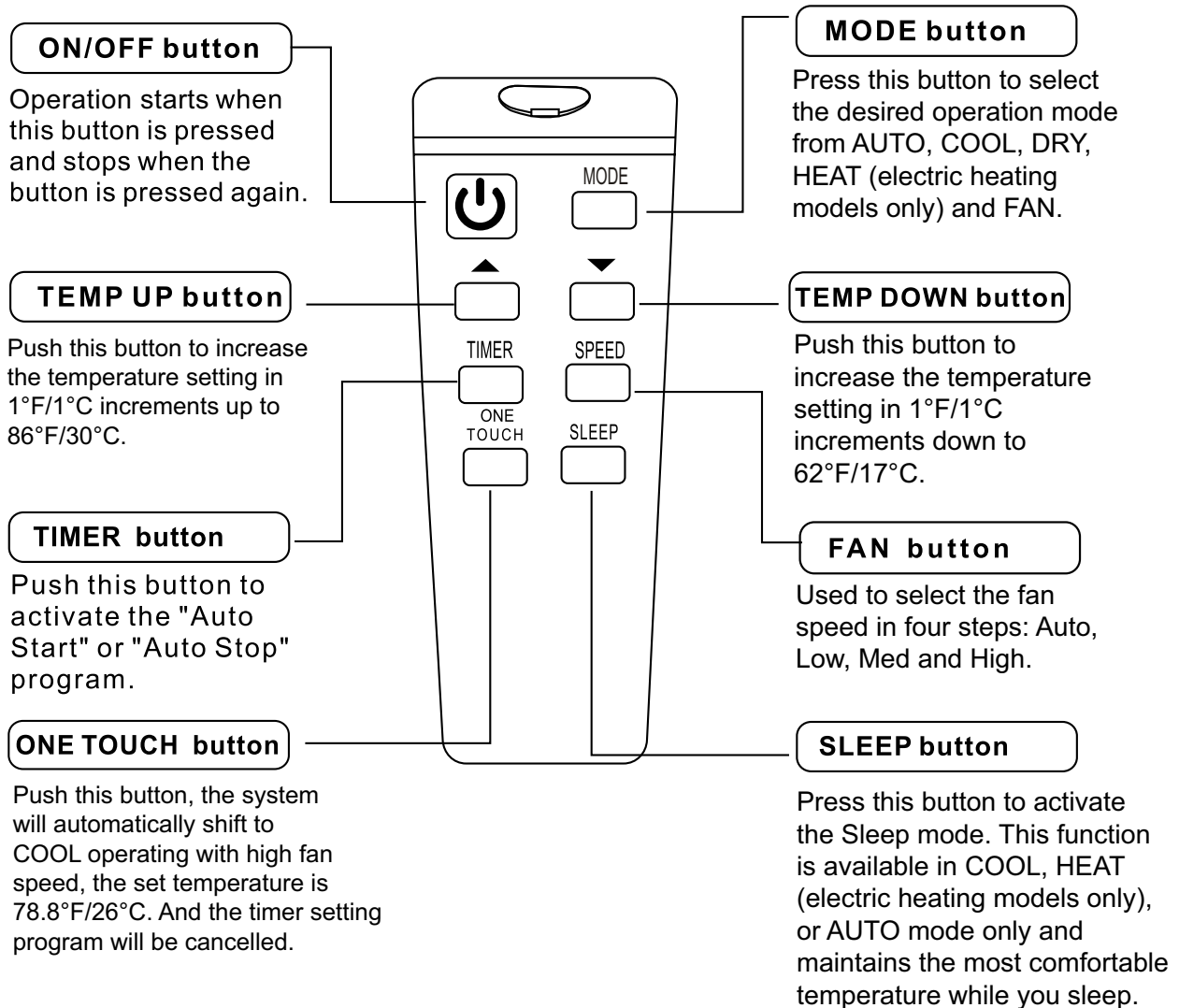
NOTE: When the batteries are removed, the remote controller erases all programming. After inserting new batteries, the remote controller must be reprogrammed.

Remote Controller Specifications

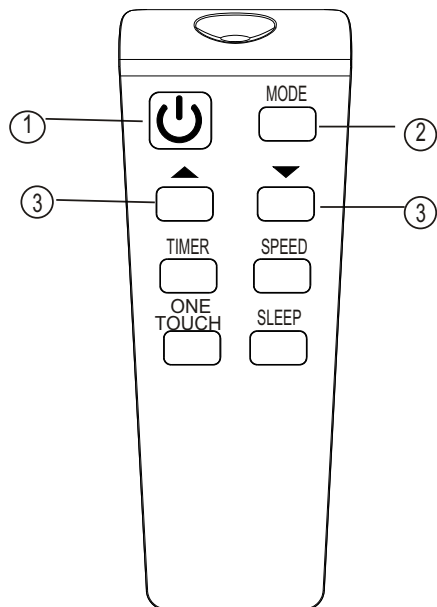
Model	RG32A/E, RG32A/CE
Rated Voltage	AAA (2), 3.0 V (dry batteries Lr03x2)
Lowest Voltage of CPU Emitting Signal	2.4V
Signal Receiving Range	16 ft (5m)
Environment	23°F ~ 140°F (-5°C - 60°C)

NOTE: All the illustrations are for explanation purposes only. The actual shape of remote controller may be slightly different.

Function buttons



How to use the buttons



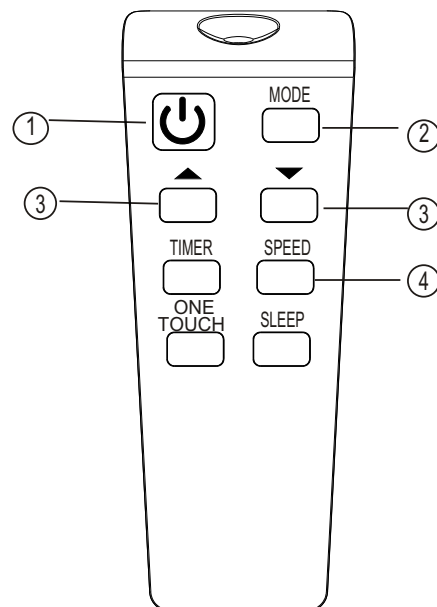
Auto operation

Ensure the unit is plugged in and power is available.

1. Press the **ON/OFF** button to start the air conditioner.
2. Press the **MODE** button to select Auto.
3. Press the **TEMP UP/DOWN** button to set the desired temperature. The temperature can be set within a range of 62°F/17°C~86°F/30°C in 1°F/1°C increments.

NOTE

1. In the Auto mode, the air conditioner can logically choose the mode of cooling, fan, or heating (electric heating models only) by sensing the difference between the actual ambient room temperature and the set temperature on the remote controller.
2. In the Auto mode, you can not switch the fan speed. It is already being automatically controlled.
3. If a different mode is desired, it can be selected manually.



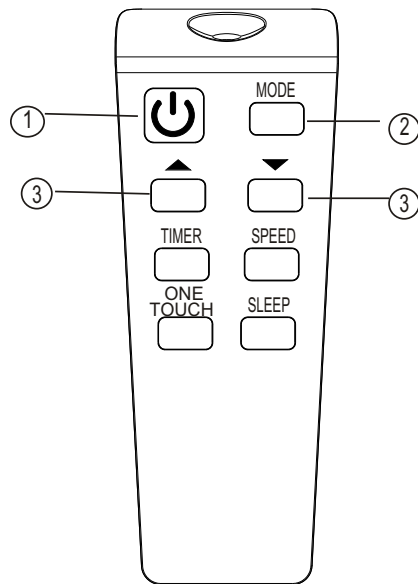
Cooling /Heating/Fan operation

Ensure the unit is plugged in and power is available.

1. Press the **ON/OFF** button to start the air conditioner.
2. Press the **MODE** button to select Cool, Heat (electric heating models only) or Fan mode.
3. Press the **TEMP UP/DOWN** button to set the desired temperature. The temperature can be set within a range of 62°F/17°C~86°F/30°C in 1°F/1°C increments.
4. Press the **FAN** button to select the fan speed in four steps- Auto, Low, Med, or High.

NOTE

In the Fan mode, the set temperature is not displayed on the remote controller therefore the room temperature is not being controlled, so the temp up/down buttons are deactivated. The fan is operational only to circulate air.



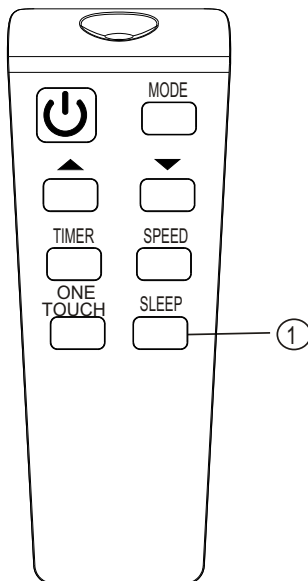
Dehumidifying operation

Ensure the unit is plugged in and power is available.

1. Press the **ON/OFF** button to start the air conditioner.
2. Press the **MODE** button to select Dry.
3. Press the **TEMP UP/DOWN** button to set the desired temperature. The temperature can be set within a range of 62°F/17°C~86°F/30°C in 1°F/1°C increments.

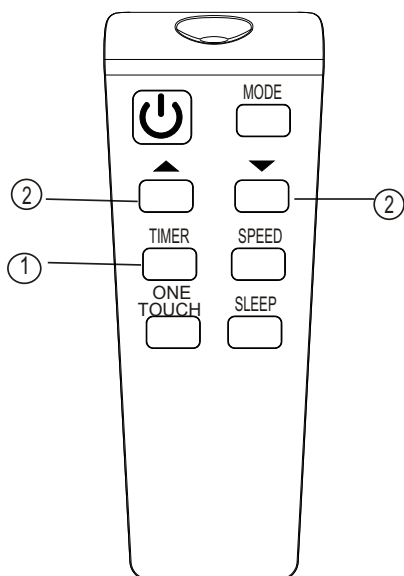
NOTE

In the dehumidifying mode, the fan speed is already automatically being controlled.



SLEEP operation

- Press this button to activate the Sleep mode. This function is available in COOL, HEAT (electric heating models only) or AUTO mode only and maintains the most comfortable temperatures while you sleep.
- In this mode, the selected temperature will increase by 2°F/1°C 30 minutes after the mode is selected. The temperature will then increase by another 2°F/1°C after an additional 30 minutes. This new temperature will be maintained for 6 hours before it returns to the originally selected temperature. This ends the Sleep mode and the unit will continue to operate as originally programmed.
- The Sleep mode program can be cancelled by pressing the **MODE**, **ON/OFF**, **FAN SPEED** or the **SLEEP** button during operation.



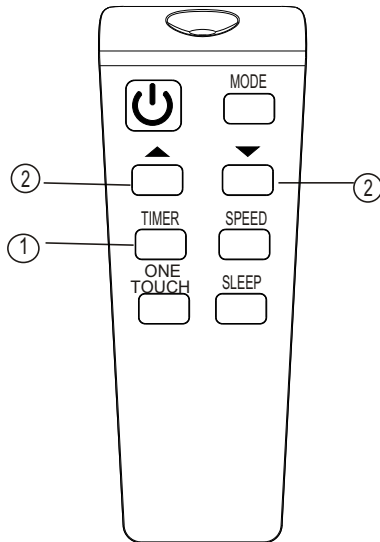
Timer operation

The TIMER button can initiate the Auto-start and Auto-stop program of the unit. The time can be set in range of 0~24 hours.

To set the Auto-start/stop time.

1. Press the TIMER button, when the TIMER ON indicator is displayed on the LED window of the air conditioner, it indicates the Auto Start program is initiated. When the TIMER OFF indicator is displayed on the LED window of the air conditioner, it indicates the Auto Stop program is initiated.
2. Press or hold the Up(▲) or Down(▼) to change the Auto time by 0.5 hour increments, up to 10 hours, then at 1 hour increments up to 24 hours. The control will count down the time remaining until start/stop.
3. The selected time will register in 5 seconds and the air conditioner will automatically revert back to display the previous temperature setting.
4. Turning the unit ON or OFF at any time will cancel the Auto Start/stop function.

NOTE: To cancel the TIMER setting, push the TIMER button and press or hold the Up (▲) or Down (▼) until 0 hour is displayed on the LCD window of the air conditioner.



COMBINED TIMER

(Setting both ON and OFF timers simultaneously)

AUTO STOP → AUTO START (On → Stop → Start operation)

This feature is useful when you want to stop the air conditioner after you go to bed, and start it again in the morning when you wake up or when you return home.

Example:

To stop the air conditioner 2 hours after setting and start it again 10 hours after setting.

1. Press the TIMER button until the TIMER OFF indicator is displayed on the LED display of the air conditioner.
2. Use the UP/DOWN button to display "2.0" on the LED display of the air conditioner.
3. Press the TIMER button again to display the TIMER OFF on the LED display of the unit.
4. Use the UP/DOWN button to display "10" on the LED display of the unit.
5. Wait for 5 seconds until the previous display revert back to the LED window.

AUTO START → AUTO STOP (Off → Start → Stop operation)

This feature is useful when you want to start the air conditioner before you wake up and stop it after you leave the house.

Example:

To start the air conditioner 5 hours after setting, and stop it 8 hours after setting.

1. Press the TIMER button until the TIMER ON indicator is displayed on the LED display of the air conditioner.
2. Use the UP/DOWN button to display "5.0" on the LED display of the air conditioner.
3. Press the TIMER button again to display the TIMER OFF on the LED display of the unit.
4. Use the UP/DOWN button to display "8.0" on the LED display of the unit.
5. Wait for 5 seconds until the previous display revert back to the LED window.

Due to ongoing product improvements, specifications and dimensions are subject to change and correction without notice or incurring obligations. Determining the application and suitability for use of any product is the responsibility of the installer. Additionally, the installer is responsible for verifying dimensional data on the actual product prior to beginning any installation preparations.

Incentive and rebate programs have precise requirements as to product performance and certification. All products meet applicable regulations in effect on date of manufacture; however, certifications are not necessarily granted for the life of a product. Therefore, it is the responsibility of the applicant to determine whether a specific model qualifies for these incentive/rebate programs.

HEAT CONTROLLER

1900 Wellworth Ave., Jackson MI 49203 • Ph. 517-787-2100 • www.heatcontroller.com

A  Company