

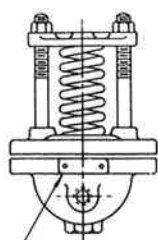
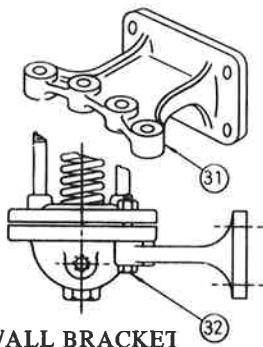
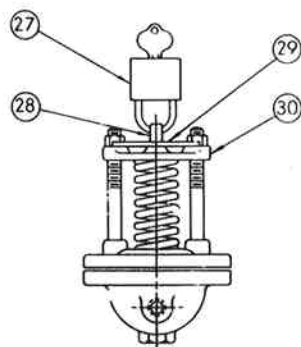
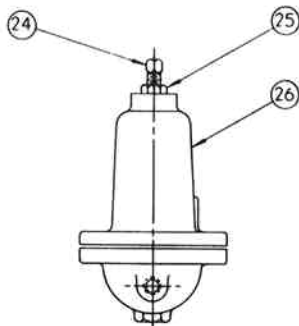
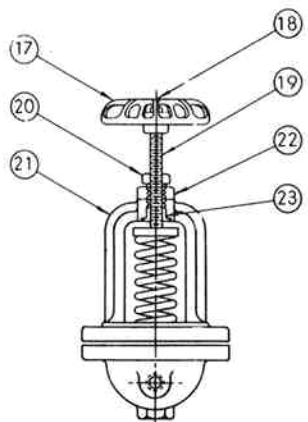
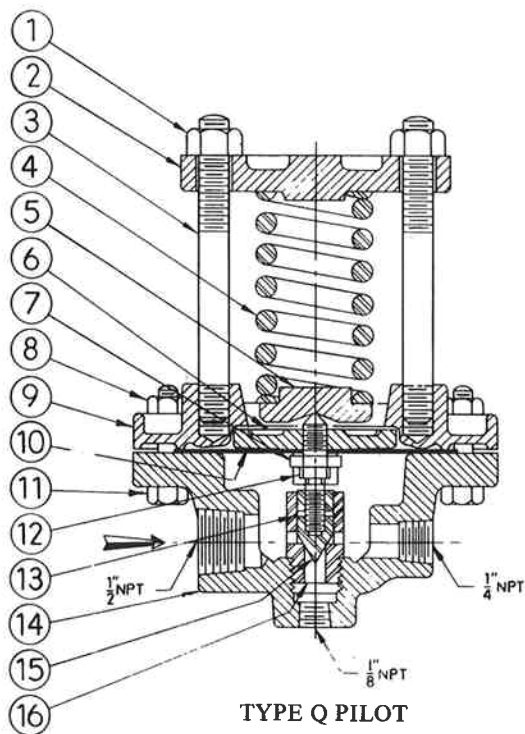


SPENCE ENGINEERING COMPANY, INC.
Walden, New York 12586

Parts List TYPE Q PILOT

When ordering parts it is essential that the pilot type, service and serial number be stated.

Select parts by item number but order by part number. Specify complete part number when ordering.



* Recommended Spare Parts

Item No.	Part Name	Material	Part No.
1	Adjusting Nut	Steel	5-02874-0
2	Spring Yoke	Iron	5-06183-0
3	Standard	St. Steel	4-05219-0
4	Adj. Spring 3-20 psi	Steel	5-05007-0
	Adj. Spring 5-50 psi	Steel	5-05003-0
	Adj. Spring 10-100psi	Steel	5-05005-0
	Adj. Spring 20-150 psi	Steel	5-05012-0
5	Spring Button	Steel	4-01040-0
6	Pressure Plate	Steel	4-03679-0
7	Diaphragm Screw	St. Steel	4-04823-0
8	Diaphragm Nut	Steel	5-02871-0
9	Cowl	Iron	4-01508-0
* 10	Diaphragm Note 1	St. Steel	4-01623-0
11	Diaphragm Bolt & Diaphragm Nut	Steel	5-04764-0
		Steel	5-02871-0
12	Disc Adjusting Screw	St. Steel	4-04761-0
13	Dowel Pin	St. Steel	5-03242-0
14	Body	Iron	4-00737-0
	Body	Bronze	4-00739-0
	Body	Steel	4-00738-0
15	Disc	St. Steel	4-01712-0
16	Seat Ring	St. Steel	4-04381-0

Adjusting Handwheel

17	Handwheel	Mall. Iron	5-06139-0
18	Handwheel Nut	Steel	5-02872-0
19	Adjusting Screw	Steel	4-04752-0
20	Adj. Screw, Locknut	Steel	5-02952-0
21	Cowl Yoke Note 2	Iron	4-06166-0
	Cowl Yoke Note 3	Duct. Iron	4-06167-0
22	Yoke Bushing, Locknut	Steel	5-02947-0
23	Yoke Bushing	Bronze	4-01152-0

Enclosed Spring Chamber

24	Adjusting Screw	Steel	5-04860-0
25	Locknut	Steel	5-02942-0
26	Spring Chamber	Iron	4-01393-0
	Spring Chamber	Bronze	4-01395-0
	Spring Chamber	Steel	4-01394-0

Locking Device

27	Padlock	Brass	5-03204-0
28	Lock Pin	Steel	4-03272-0
29	Lock Bar	Steel	4-00436-0
30	Spring Yoke & Lock Pin	Iron	4-06182-0
		Steel	4-03272-0

Wall Bracket

31	Wall Bracket	Iron	4-01029-0
32	Diaphragm Bolt & Diaphragm Nut	Steel	5-04766-0
		Steel	5-02871-0

Note 1 - Requires 2 per set.
Note 2 - Applies to iron pilot.
Note 3 - Applies to bronze and steel pilots.