

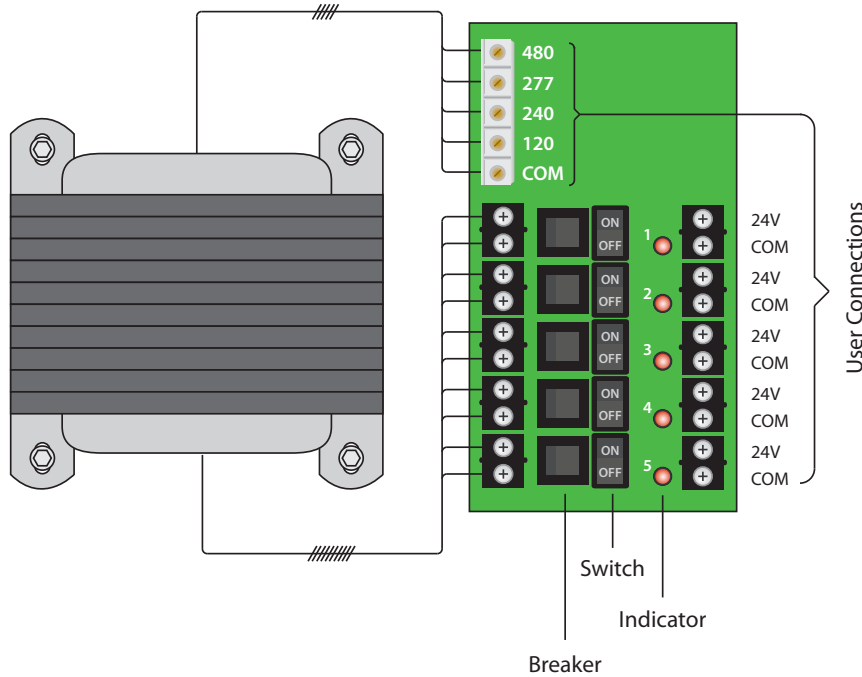
AC POWER SUPPLY

PSH500A

Enclosed 500VA Power Supply with Five 100VA Class 2 Outputs, 480/277/240/120 Vac to 24 Vac

PSMN500A

Open Style 500VA Power Supply with Five 100VA Class 2 Outputs, 480/277/240/120 Vac to 24 Vac



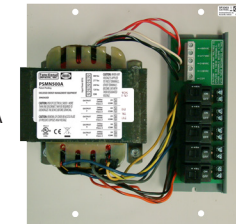
PSH500A Shown With Cover



PSH500A Shown Without Cover



PSMN500A



POWER SUPPLIES

SPECIFICATIONS

Transformer: One (1) 500 VA
Over Current Protection: Circuit Breaker

Primary: 480/277/240/120 Vac
Frequency: 50/60 Hz

Dimensions: 12.125" x 12.125" x 6.000" (PSH500A)
 11.330" x 11.400" x 5.000" (PSMN500A)

Approvals: Class 2 (UL Approved UL5085-3),
 UL916, UL508, C-UL, CE, RoHS, Special
 ▲ Seismic Certification of Equipment and Components: OSP-0201-10

Sub-Panel: Plenum Rated Polymetal Sub-Panel (PSMN500A)

Housing: NEMA1 Metal Enclosure (PSH500A)
Weight: 30.16 lbs. (PSH500A)
 20.60 lbs. (PSMN500A)

5 Secondaries:
 24 Vac, with LED Indicators
 4 Amp breaker for each output

24 Vac ON/OFF:
 On / Off Switch & Breaker

Input:
 480/277/240/120 Vac Finger-Safe Terminals, 8-18 AWG

Output:
 5 Ungrounded, Isolated, 100 VA, Class 2, 24 Vac Outputs. Terminals accept 12-26 AWG wire.

Ambient Temperature Derating:
 4A up to 40° C ; 3A up to 50° C ; 2A up to 55° C
 (When All 5 Outputs Operated Simultaneously)

- Notes:**
- To order UL508, add "-IC" to end of model number.
 - Open style (PSMN500A) is mounted to sub-panel SP3303 for shipping. Sub-panel may be removed to suit application.
 - Primary voltage terminal cover available. See model APS53-TC on page 141.
 - Design is in accordance with ASCE 7-05 Chapter 13: ▲ www.oshpd.ca.gov/FDD/Pre-Approval/OSP-0201-10.pdf

Standby Wattage:
 48.515 W @ 120 Vac
 48.699 W @ 240 Vac
 49.564 W @ 277 Vac
 48.255 W @ 480 Vac

Full Load Primary Current:
 4.66 A @ 120 Vac
 2.41 A @ 240 Vac
 2.06 A @ 277 Vac
 1.17 A @ 480 Vac

Secondary Output Voltage vs. Load:
 24.0 V @ 1 Amp
 23.0 V @ 2 Amp
 21.8 V @ 3 Amp
 21.1 V @ 4 Amp

- With 240 Vac primary input voltage
- When all 5 outputs operated simultaneously, at room temperature

GREAT FOR VAV APPLICATIONS