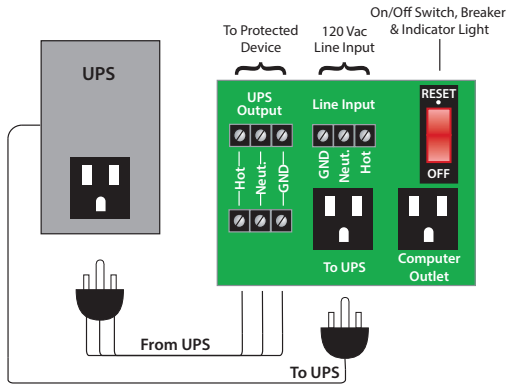


**UNINTERRUPTIBLE POWER SUPPLY KIT**

**PSH550-UPS**

Kit Consisting of Enclosed Power Control Center Model PSH2RB10 (10 Amp Switch / Circuit Breaker, Two (2) 120 Vac Outlets, Terminals, 120 Vac Input) with a 550 VA UPS. (No Status Contacts)



Shown Without Cover



Shown With Cover

**SPECIFICATIONS**

**UPS**

- UPS: 550VA
- Backup Time: 3 Min. @ Full 550 VA Load  
15 Min. @ 1/2 Load
- Input: 120 Vac, 12 Amp
- Output: 120 Vac, 4.6 Amp
- Max Load: 330 Watt
- Frequency: 50/60 Hz
- Temperature Rating of UPS: 32 to 104° F
- UPS Transfer Time: 6ms
- Approvals: UL Listed, UL1778

**PSH2RB10**

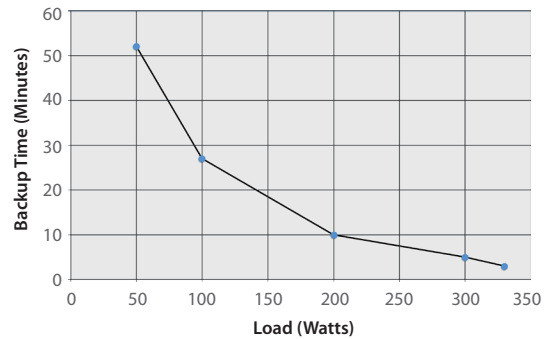
- Operating Temperature: -30 to 140° F
- Humidity Range: 5 to 95% (noncondensing)
- Main Breaker ON/OFF: Switch / Breaker (10 Amp)
- Approvals: UL Listed, UL916, C-UL, CE, RoHS
- Dimensions: 12.000" x 14.000" x 6.000"  
Metal Housing with Screw Cover

Shipping Weight: 28 lbs.

Product Weight: 22.5 lbs.

- Notes:**
- To order without UPS, so that any other commercial UPS with appropriate ratings and within housing space limitations may be used, see model PSH2RB10.
  - To order interface board for replacement or for separate use, order model PSM2RB10.
  - Average battery life: 3-5 years depending on the number of discharge cycles and environmental temperature

**ESTIMATED BACKUP TIME VS. LOAD**



POWER CONTROL