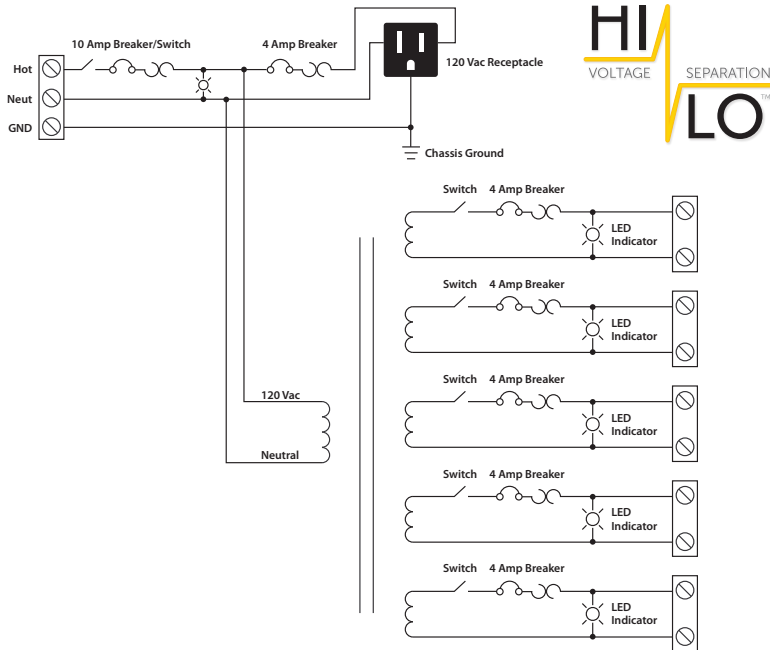


AC POWER SUPPLY

PSH500AB10-LVC

Enclosed 500VA Power Supply, **High/Low Voltage Separation** with Five 100VA Class 2 Outputs, 120 Vac to 24 Vac with 120 Vac Receptacle



PSH500AB10-LVC
Shown With High Voltage
Cover & Low Voltage
Access Plate



POWER SUPPLIES

SPECIFICATIONS

Transformer: One (1) 500 VA
Over Current Protection: Circuit Breaker
Primary: 120 Vac
Frequency: 50/60 Hz
Main Breaker ON/OFF: Switch / Breaker (10 Amp)
 (Kills power to entire unit:
 1 Outlet & Transformer)
Approvals: Class 2 (UL Approved UL5085-3),
 UL916, C-UL, CE, RoHS, Special
 ▲ Seismic Certification of Equipment
 and Components: OSP-0201-10
Dimensions: 12.125" x 12.125" x 6.000"
Housing: NEMA1 Metal Enclosure with
 high/low separation
Weight: 32.30 lbs.

5 Secondaries:
 24 Vac, with LED Indicators
 4 Amp breaker for each output

24 Vac ON/OFF:
 On / Off Switch & Breaker

Input:
 120 Vac **Finger-Safe Terminals**, 8-18 AWG

Output:
 5 Ungrounded, Isolated, 100 VA Class 2,
 24 Vac Outputs. Removable Terminals
 accept 16-22 AWG wire.

Ambient Temperature Derating:
 4A up to 40° C ; 3A up to 50° C ; 2A up to 55° C
 (When All 5 Outputs Operated Simultaneously)

Standby Wattage:
 48.515 W @ 120 Vac

Full Load Primary Current:
 4.66 A @ 120 Vac

Secondary Output Voltage vs. Load:
 24.0 V @ 1 Amp
 23.0 V @ 2 Amp
 21.8 V @ 3 Amp
 21.1 V @ 4 Amp

• When all 5 outputs operated
 simultaneously, at room
 temperature

Notes:
 ▲ Design is in accordance with ASCE 7-05
 Chapter 13:
www.oshpd.ca.gov/FDD/Pre-Approval/OSP-0201-10.pdf
 • 4A (Breaker protected) Convenience
 Receptacle Provided