

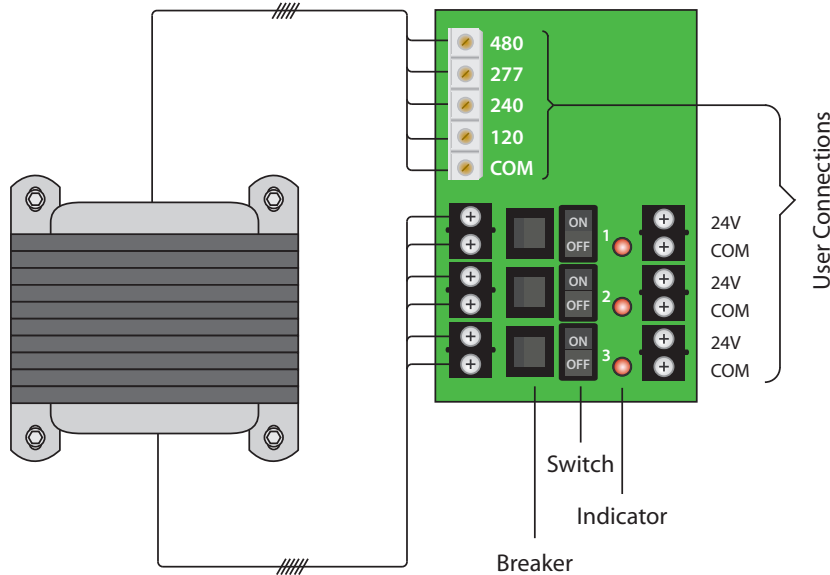
**AC POWER SUPPLY**

**PSH300A**

Enclosed 300VA Power Supply with Three 100VA Class 2 Outputs, 480/277/240/120 Vac to 24 Vac

**PSMN300A**

Open Style 300VA Power Supply with Three 100VA Class 2 Outputs, 480/277/240/120 Vac to 24 Vac



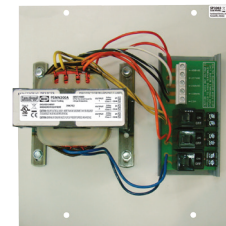
PSH300A Shown With Cover



PSH300A Shown Without Cover



PSMN300A



POWER SUPPLIES

**SPECIFICATIONS**

**Transformer:** One (1) 300 VA  
**Over Current Protection:** Circuit Breaker  
**Primary:** 480/277/240/120 Vac  
**Frequency:** 50/60 Hz  
**Dimensions:** 12.125" x 12.125" x 6.000" (PSH300A)  
 11.330" x 11.400" x 4.500" (PSMN300A)  
**Approvals:** Class 2 (UL Approved UL5085-3), UL916, UL508, C-UL, CE, RoHS, Special **^ Seismic Certification of Equipment and Components: OSP-0201-10**  
**Sub-Panel:** Plenum Rated Polymetal Sub-Panel (PSMN300A)  
**Housing:** NEMA1 Metal Enclosure (PSH300A)  
**Weight:** 20.00 lbs. (PSH300A)  
 11.00 lbs. (PSMN300A)

**3 Secondaries:**  
 24 Vac, with LED Indicators  
 4 Amp breaker for each output  
**24 Vac ON/OFF:**  
 On / Off Switch & Breaker

**Input:**  
 480/277/240/120 Vac **Finger-Safe Terminals**, 8-18 AWG

**Output:**  
 3 Ungrounded, Isolated, 100 VA, Class 2, 24 Vac Outputs. Terminals accept 12-26 AWG wire.

**Ambient Temperature Derating:**  
 4A up to 40° C ; 3A up to 50° C ; 2A up to 55° C (When All 3 Outputs Operated Simultaneously)

**Notes:**

- To order UL508, add "-IC" to end of model number.
- Open style (PSMN300A) is mounted to sub-panel SP3303 for shipping. Sub-panel may be removed to suit application.
- Primary voltage terminal cover available. See model AP553-TC on page 141.
- Design is in accordance with ASCE 7-05 Chapter 13: **^** www.oshpd.ca.gov/FDD/Pre-Approval/OSP-0201-10.pdf

**Standby Wattage:**  
 16.61 W @ 120 Vac  
 17.70 W @ 240 Vac  
 16.26 W @ 277 Vac  
 19.20 W @ 480 Vac

**Full Load Primary Current:**  
 2.66 A @ 120 Vac  
 1.36 A @ 240 Vac  
 1.18 A @ 277 Vac  
 0.68 A @ 480 Vac

**Secondary Output Voltage vs. Load:**  
 24.5 V @ 1 Amp  
 23.5 V @ 2 Amp  
 22.8 V @ 3 Amp  
 22.3 V @ 4 Amp

- With 120 Vac primary input voltage
- When all 3 outputs operated simultaneously, at room temperature

**GREAT FOR VAV APPLICATIONS**