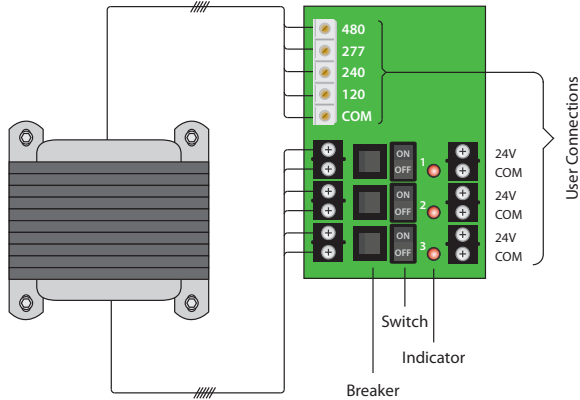


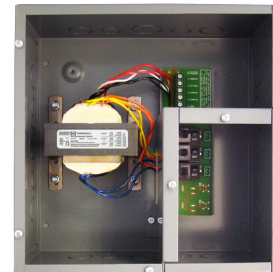
AC POWER SUPPLY

PSH300A-LVC

Enclosed 300VA Power Supply with Three 100VA Class 2 Outputs, 480/277/240/120 Vac to 24 Vac



PSH300A-LVC
Shown Without
High Voltage
Cover &
Low Voltage
Access Plate



PSH300A-LVC
Shown Without
Low Voltage
Access Plate



PSH300A-LVC
Shown With
Full Cover &
Access Plate



Made in USA
Meets
"Buy American"
of ARRA 2009

POWER SUPPLIES

SPECIFICATIONS

- Transformer:** One (1) 300 VA
- Over Current Protection:** Circuit Breaker
- Primary:** 480/277/240/120 Vac
- Frequency:** 50/60 Hz
- Dimensions:** 12.125" x 12.125" x 6.000"
- Approvals:** Class 2 (UL Approved UL5085-3), UL916, C-UL, CE, RoHS, Special
▲ Seismic Certification of Equipment and Components: OSP-0201-10
- Housing:** NEMA1 Metal Enclosure
- Weight:** 22.46 lbs.

Notes:
▲ Design is in accordance with ASCE 7-05 Chapter 13:
www.oshpd.ca.gov/FDD/Pre-Approval/OSP-0201-10.pdf

3 Secondaries:
24 Vac, with LED Indicators
4 Amp breaker for each output

24 Vac ON/OFF:
On / Off Switch & Breaker

Input:
480/277/240/120 Vac Finger-Safe Terminals,
8-18 AWG

Output:
3 Ungrounded, Isolated, 100 VA, Class 2, 24 Vac
Outputs. Terminals accept 12-26 AWG wire.

Ambient Temperature Derating:
4A up to 40° C ; 3A up to 50° C ; 2A up to 55° C
(When All 3 Outputs Operated Simultaneously)

Standby Wattage:
16.61 W @ 120 Vac
17.70 W @ 240 Vac
16.26 W @ 277 Vac
19.20 W @ 480 Vac

Full Load Primary Current:
2.66 A @ 120 Vac
1.36 A @ 240 Vac
1.18 A @ 277 Vac
0.68 A @ 480 Vac

Secondary Output Voltage vs. Load:
24.5 V @ 1 Amp
23.5 V @ 2 Amp
22.8 V @ 3 Amp
22.3 V @ 4 Amp

- With 120 Vac primary input voltage
- When all 3 outputs operated simultaneously, at room temperature