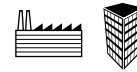


Float Actuated Pneumatic

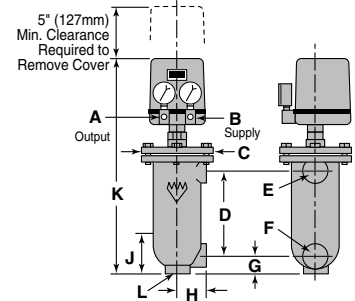
Series PFC Liquid Level Controls



- For the actuation of pneumatic valves or relays in heating, air conditioning and process systems in hazardous or non-hazardous locations
- Provides an air pressure signal proportional to the liquid level
- Available as Direct Acting or Reverse Acting
- A float operated armature senses the liquid level
- Switch mechanism is completely sealed from the liquid
- Two gauges are provided to display the supply and output pressures
- Alternate air connection tappings are provided for greater flexibility in piping
- Operating range: 1 - 2" (25 - 51mm)
- Air pressure
 - Supply 20 psi (1.4 kg/cm²)
 - Output 3 - 15 psi (.2 - 1 kg/cm²)
- Maximum water temperature 406°F (208°C)
- Maximum pressure 250 psig (17.6 kg/cm²)



Series PFC



Dimensions, in. (mm)

| A NPT | B NPT | C | D | E NPT | F NPT | G | H | J | K | L NPT |
|----------|----------|---------|---------|----------|----------|------------|------------|---------|--------------|----------|
| 1/8 | 1/8 | 7 (178) | 8 (203) | 1 | 1 | 1 3/4 (45) | 2 5/8 (67) | 4 (102) | 20 3/4 (527) | 1 |

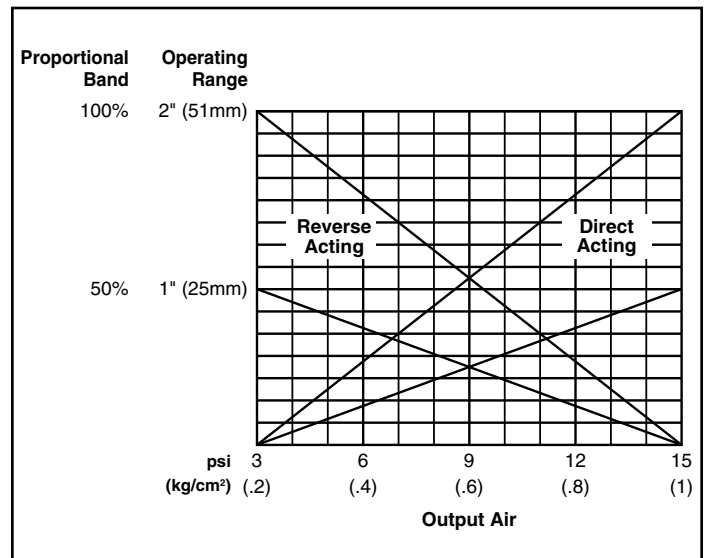
Water Level Adjustment

| Model | Type | Level Adjustment Range in. (mm) |
|----------|----------------|------------------------------------|
| PFC-1-G | Direct Acting | 1 - 2 (25 - 51) |
| PFC-1-GR | Reverse Acting | 1 - 2 (25 - 51) |

Ordering Information

| Model Number | Part Number | Description | Weight lbs. (kg) |
|--------------|-------------|---|---------------------|
| PFC-1-G | 180800 | Direct acting pneumatic liquid level control | 38.5 (17.5) |
| PFC-1-GR | 180801 | Reverse acting pneumatic liquid level control | 38.5 (17.5) |

Output Air



Pneumatic Actuated

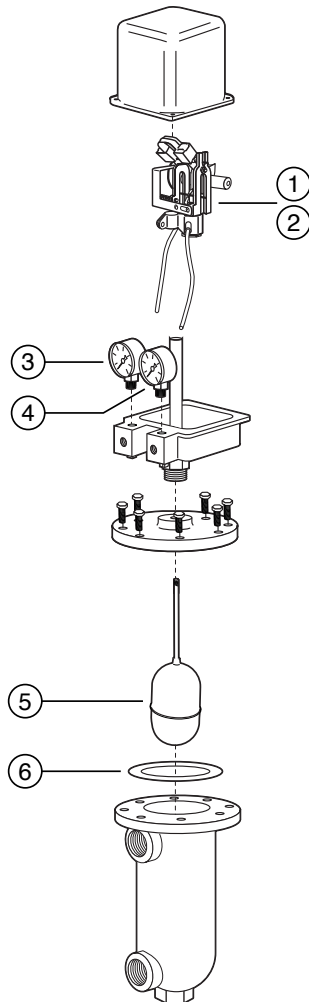
Series PFC Liquid Level Controls

Components

| Item Number | Part Number | Model Number | Description | Weight lbs. (kg) |
|-------------|-------------|--------------|-------------------------|------------------|
| 1 | 310471 | SWA-PFC-D | Valve assembly-DA | 2.0 (0.9) |
| 2 | 310472 | SWA-PFC-R | Valve assembly-RA | 2.0 (0.9) |
| 3 | 354411 | G-PFC-S | Supply gauge | 0.3 (.14) |
| 4 | 354412 | G-PFC-O | Output gauge | 0.3 (.14) |
| 5 | 354320 | FLT-PFC | Float (includes item 6) | 0.5 (.23) |
| 6 | 354310 | GSKT-PFC | Gasket | 0.2 (.09) |



Series PFC



LIQUID LEVEL CONTROLS