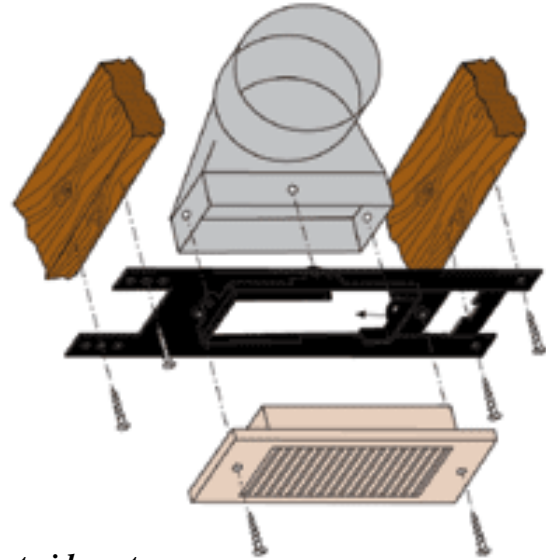


Paramount H™

Adjustable Register Rough-in Frame



*View the product video at
www.paramountconcepts.com*

- Fast, easy rough-in of overhead registers
- Available in 4" wide and 6" wide frames
- Sliding mechanism adjusts from 8" to 14"
- Covers joist spacing from 16" to 24" on center
- 1/2" inside perimeter edge for smooth, accurate dry wall cut
- Self-threading / non-strip mounts secure register grille to frame
- High impact material is heat, cold, and UV resistant
- No rattles, condensation, cuts, or loose grilles
- Better quality, but less expensive than 2x4s or metal frames

PARAMOUNT
CONCEPTS LTD.

(937) 219-8552

www.paramountconcepts.com

Rep or Distributor
Contact Info