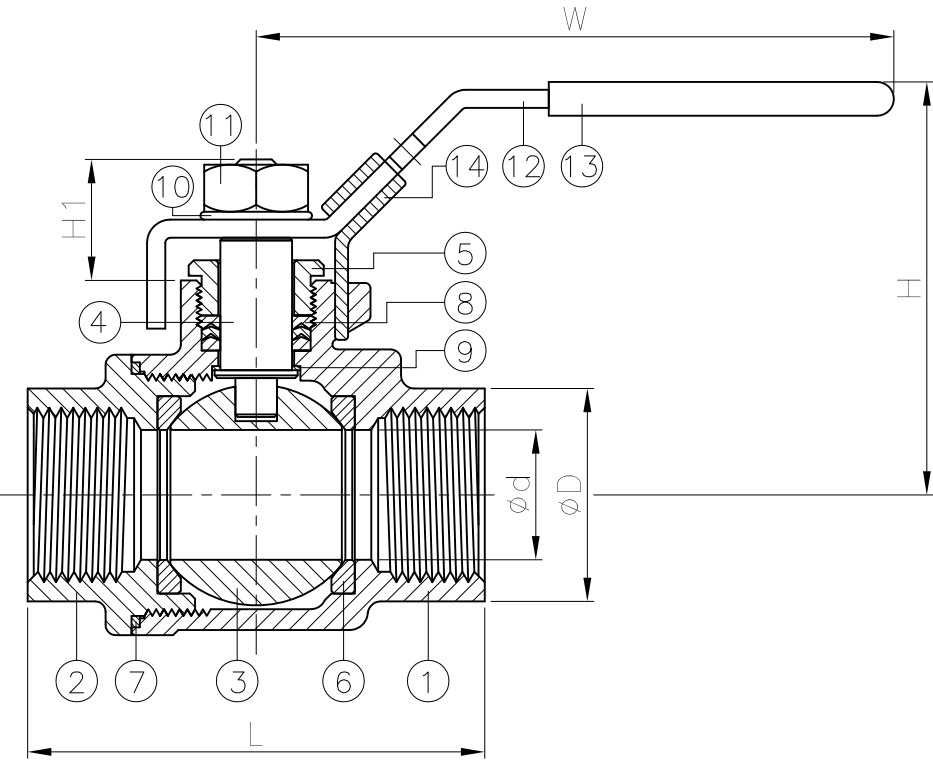
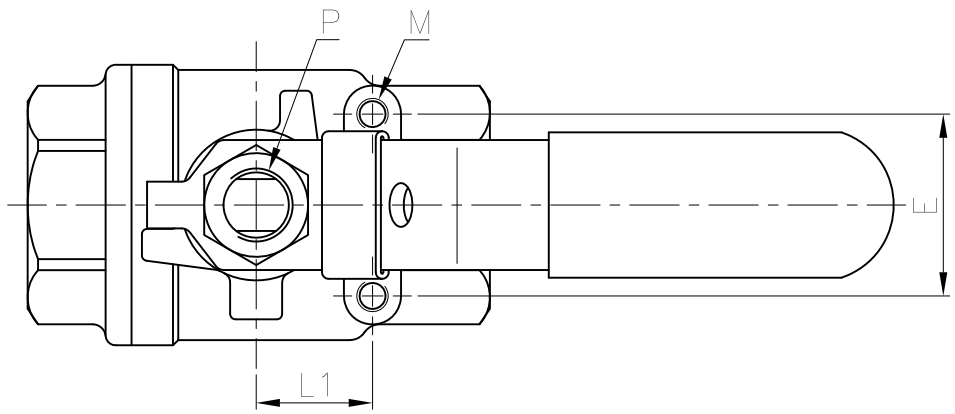


Ra	0.2	▽▽▽
	1.6	▽▽
	6.3	▽
	25	▽

± 0.1	0.5-5
± 0.2	6-30
± 0.3	31-120
± 0.5	121-320
± 0.8	321-1000

E-mail:sales@ohiovalve.com  
 GENERAL TOLERANCE  
 Ohio Valve Company  
 Drive Batavia, OH 45103 www.ohiovalve.com  
 Tel:513-752-5600 Fax:513-752-8267

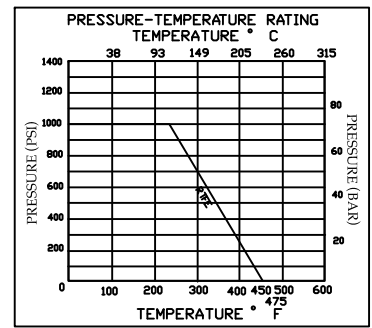


DN	d	L	L1	H	W	E	M	P	Torque (N-m)	Weight (Kg)
100	100	240	49.5	175	300	60	M6	1"-8UNF	90	13.9

unit:mm

NPS	d	L	L1	H	W	E	M	P	Torque (in-lb)	Weight (lb)
4"	3.94	9.45	1.95	6.89	11.81	2.36	1/4"	1"-8UNF	796.6	30.6

unit:in



ITEM	PARTS	MATERIAL
1	BODY	ASTM A216-WCB
2	CAP	
3	BALL	ASTM A351-CF8M
4	STEM	ASTM A276-316
5	GLAND	AISI 304
6	SEAT	RTFE
7	SEAL	PTFE
8	PACKING	
9	THRUST WASHER	
10	SPRING WASHER	AISI 304
11	NUT	
12	HANDLE	STAINLESS STEEL
13	HANDLE SLEEVE	PVC
14	LOCK DEVICE	STAINLESS STEEL



CHECK BY	DRAWING BY	DATE	SPECIFICATION	2-PC Screwed End Ball Valve 1000 WOG
	<i>Sammy</i>	Mar.04.2016	MATERIAL	WCB
			PROCESS/Nr.	
			UNIT / SCALE	mm

△			
△			
△			
Revise	Description	Date	Approve
DRAWING NO.		<b>256-FTS</b>	