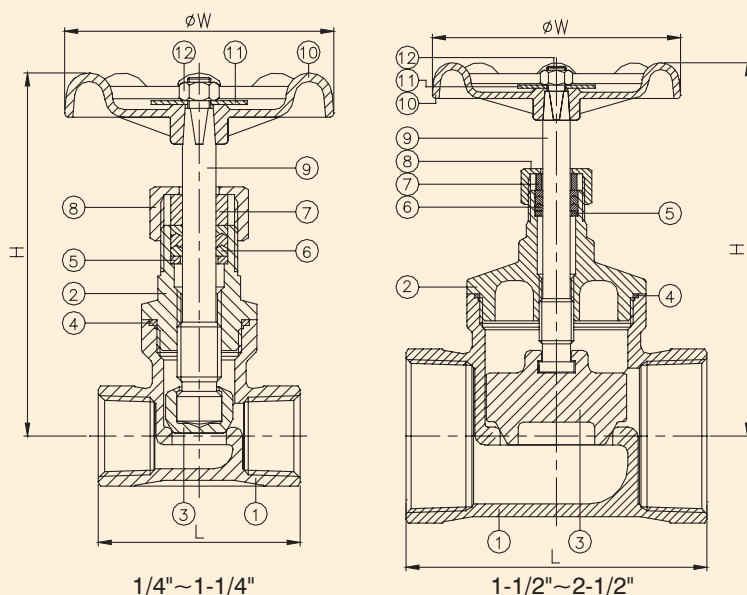
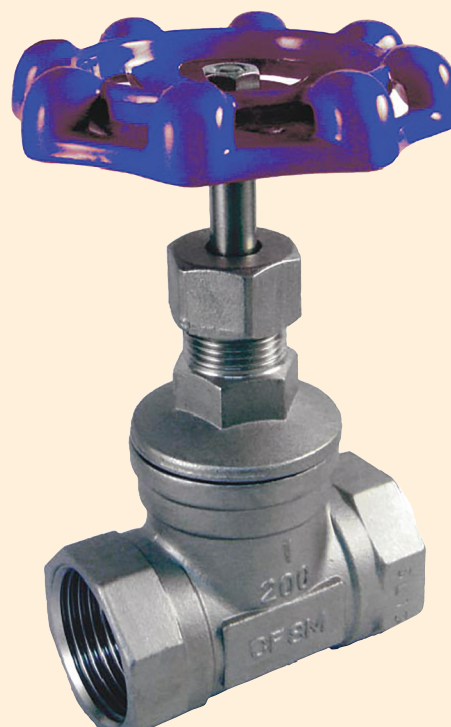


OVC# SS200GL

Screwed End Globe Valve

Features

- 1/4" ~ 2-1/2" (DN8 ~ DN65)
- W.P. : 200 WOG
- W.T. : -20°C~200°C (-4°F~392°F)
- Investment casting
- Rising stem
- Thread type: ASME B1.20.1 (NPT)
DIN2999 & BS21
ISO7/1 & EN10226



| NO. | DESCRIPTION | MATERIAL | |
|-----|-------------|----------------|---------------|
| 1 | BODY | ASTM A351-CF8M | ASTM A351-CF8 |
| 2 | DISC | ASTM A351-CF8M | ASTM A351-CF8 |
| 3 | BONNET | ASTM A351-CF8M | ASTM A351-CF8 |
| 4 | SEAL | PTFE | |
| 5 | GASKET | AISI 304 | |
| 6 | PACKING | PTFE | |
| 7 | GLAND RING | AISI 304 | |
| 8 | CAP NUT | ASTM A351-CF8M | ASTM A351-CF8 |
| 9 | STEM | AISI 316 | AISI 304 |
| 10 | EYE HANDLE | ALUMINUM | |
| 11 | NAMEPLATE | ALUMINUM | |
| 12 | NUT | AISI 304 | |

| NPS | L | H | | W | Wt./Lbs. |
|--------|------|------|-------|------|----------|
| | | OPEN | CLOSE | | |
| 1/4" | 2.05 | 4.06 | 3.58 | 2.76 | 0.7 |
| 3/8" | 2.05 | 4.06 | 3.58 | 2.76 | 0.7 |
| 1/2" | 2.05 | 4.06 | 3.58 | 2.76 | 0.7 |
| 3/4" | 2.6 | 4.37 | 3.94 | 3.15 | 1 |
| 1" | 2.99 | 4.76 | 4.09 | 3.15 | 1.4 |
| 1-1/4" | 3.39 | 6.14 | 5.31 | 3.54 | 2.1 |
| 1-1/2" | 3.7 | 5.79 | 5.24 | 3.54 | 2.8 |
| 2" | 4.65 | 6.89 | 6.06 | 3.94 | 4.7 |
| 2-1/2" | 5.91 | 7.83 | 6.73 | 5.51 | - |

* Other sizes available upon request.

TOLL FREE (877) 423-2660 • (513) 752-5600 • FAX (513) 752-8267
EMAIL sales@ohiovalve.com • WEB www.ohiovalve.com