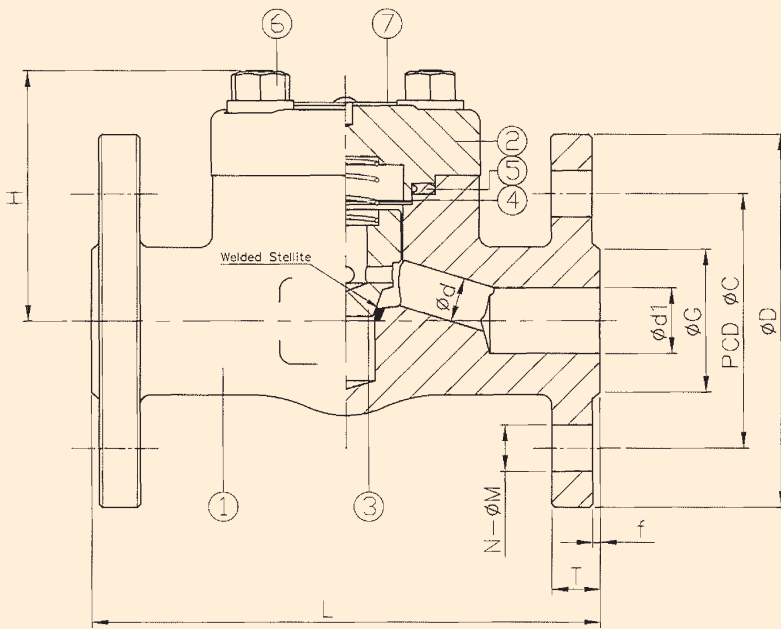


# OVC# PC150FE *Class 150 Forged Steel Flanged End Piston Check Valve*

## Features

- Design and manufacture: API 602 & ASME 16.34
- Test: API 598
- End flanged dimensions: ASME B16.5
- Face to face: ASME B16.10



NO.	DESCRIPTION	MATERIAL
1	BODY	ASTM A105 + STELLITE
2	CAP	ASTM A105
3	DISC	ASTM A276-420
4	SPRING	SS 304
5	GASKET	SS 304 + GRAPHITE
6	BOLT	ASTM A193-B7
7	NAMEPLATE	ALUMINUM

NPS	d	d1	G	C	D	L	H	T	f	N	M	Weight (lb)
1/2"	0.39	0.63	1.37	2.37	3.54	4.25	2.2	0.45	0.06	4	0.63	4.9
3/4"	0.51	0.83	1.69	2.75	3.94	4.61	2.2	0.51	0.06	4	0.63	6.1
1"	0.71	1.04	2	3.13	4.33	5	2.95	0.57	0.06	4	0.63	9.3
1-1/4"	0.91	1.38	2.50	3.50	4.53	5.51	3.35	0.63	0.06	4	0.63	13.4
1-1/2"	1.14	1.61	2.87	3.87	4.92	6.5	3.82	0.69	0.06	4	0.63	16.5
2"	1.42	2.07	3.62	4.75	5.91	7.99	4.65	0.77	0.06	4	0.75	24.3