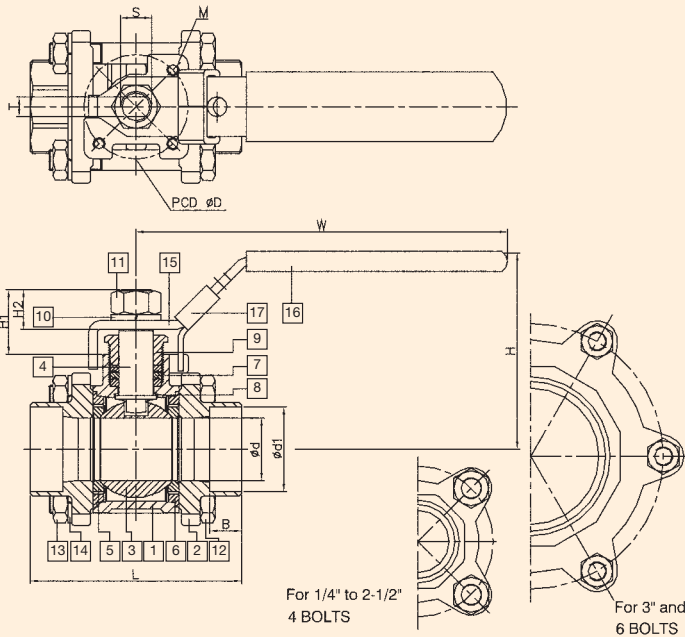


## Carbon Steel Ball Valve

### 3-Piece Full Port Ball Valve, 1000WOG, with Mounting Pad and Locking Handle

Pressure/Temperature rating in accordance with ASME B 16.34. See Pressure/Temperature chart.



#### Features

- ISO 9002
- The thread ends conform to ASME B1.20.1 (NPT)
- The socket weld ends conform to ASME B 16-11
- Investment casting
- Blow-out proof system
- Full Port
- 1000 psi W.O.G.
- 15% glass fiberfill PTFE reinforced seat
- PTFE = seal & packing
- Mounting pad refers to ISO 5211
- Latch lock handle
- **FT = Threaded**
- **FW = Socket Weld**
- All valves tested and inspected to API-598

| NO. | DESCRIPTION    | MATERIAL      |
|-----|----------------|---------------|
| 1   | BODY           | ASTM A216-WCB |
| 2   | CAP            | ASTM A216-WCB |
| 3   | BALL           | ASTM A276-316 |
| 4   | STEM           | RTFE          |
| 5   | SEAT           | PTFE          |
| 6   | SEAL           | PTFE          |
| 7   | PACKING        | PTFE          |
| 8   | THRUST WASHER  | AISI 304      |
| 9   | GLAND NUT      | AISI 304      |
| 10  | SPRING WASHER  | AISI 304      |
| 11  | STEM NUT       | AISI 304      |
| 12  | BOLT           | AISI 304      |
| 13  | NUT            | AISI 304      |
| 14  | SPRING WASHER  | AISI 304      |
| 15  | HANDLE         | AISI 304      |
| 16  | HANDLE SLEEVE  | PVC           |
| 17  | LOCKING DEVICE | AISI 304      |

| NPS    | d    | d1   | B    | D    | M   | L    | H    | W     | S           | T    | H1   | H2   | ISO 5211 | Torque (ft-lb) | Weight (lb) |
|--------|------|------|------|------|-----|------|------|-------|-------------|------|------|------|----------|----------------|-------------|
| 1/4"   | 0.46 | 0.57 | 0.39 | 1.42 | M5  | 2.56 | 2.3  | 3.94  | 3/8"-24UNF  | 0.20 | 0.76 | 0.53 | F03      | 67             | 0.8         |
| 3/8"   | 0.49 | 0.71 | 0.39 | 1.42 | M5  | 2.56 | 2.3  | 3.94  | 3/8"-24UNF  | 0.20 | 0.76 | 0.53 | F03      | 67             | 0.8         |
| 1/2"   | 0.59 | 0.87 | 0.39 | 1.42 | M5  | 2.56 | 2.44 | 3.94  | 3/8"-24UNF  | 0.20 | 0.76 | 0.53 | F03      | 67             | 1.1         |
| 3/4"   | 0.79 | 1.08 | 0.51 | 1.42 | M5  | 2.95 | 2.44 | 4.92  | 7/16"-20UNF | 0.26 | 0.88 | 0.63 | F03      | 67             | 1.6         |
| 1"     | 0.98 | 1.34 | 0.51 | 1.65 | M5  | 3.35 | 3.03 | 5.87  | 7/16"-20UNF | 0.31 | 1.01 | 0.64 | F04      | 111            | 2.3         |
| 1-1/4" | 1.26 | 1.69 | 0.51 | 1.65 | M5  | 3.98 | 3.23 | 5.87  | 7/16"-20UNF | 0.31 | 1.01 | 0.64 | F04      | 133            | 3.6         |
| 1-1/2" | 1.50 | 1.93 | 0.51 | 1.97 | M6  | 4.41 | 3.94 | 7.48  | 1/2"-20UNF  | 0.39 | 1.17 | 0.79 | F05      | 177            | 5.3         |
| 2"     | 1.97 | 2.40 | 0.63 | 1.97 | M6  | 5.12 | 4.25 | 7.48  | 1/2"-20UNF  | 0.39 | 1.17 | 0.79 | F05      | 222            | 7.7         |
| 2-1/2" | 2.48 | 2.91 | 0.63 | 2.76 | M8  | 6.38 | 5.39 | 9.84  | 3/4"-10UNF  | 0.47 | 1.55 | 1.08 | F07      | 567            | 14.8        |
| 3"     | 2.99 | 3.54 | 0.63 | 2.76 | M8  | 7.40 | 5.71 | 9.84  | 3/4"-10UNF  | 0.47 | 1.55 | 1.08 | F07      | 753            | 21.6        |
| 4"     | 3.78 | 4.57 | 0.79 | 4.02 | M10 | 8.82 | 7.05 | 12.72 | 1"-8UNF     | 0.63 | 2.11 | 1.57 | F10      | 841            | 42.3        |

Note: Actual torque values may vary. Please consult factory.