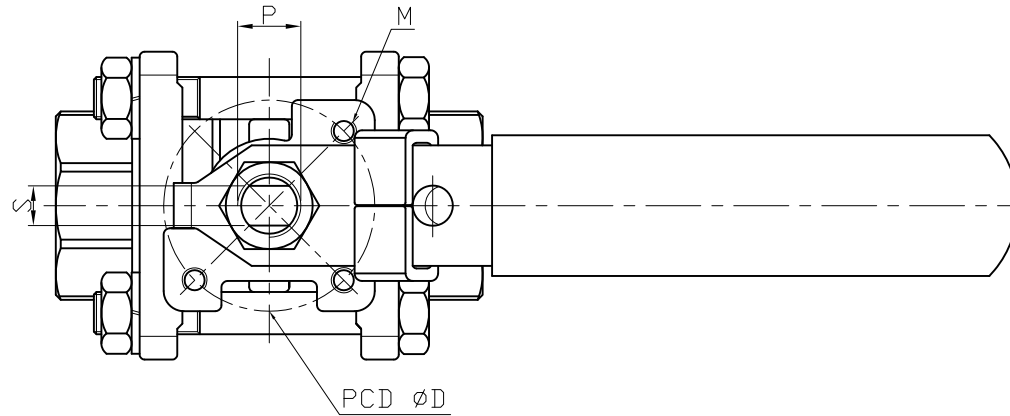


Ra
0.2
1.6
6.3
25
JIS

± 0.1
± 0.2
± 0.3
± 0.5
± 0.8
0.5~5
6~30
31~120
121~320
321~1000

GENERAL TOLERANCE
E-mail:sales@ohiovalve.com
Drive Batavia,OH 45103 www.ohiovalve.com
Tel:513-752-5600 Fax:513-752-8267

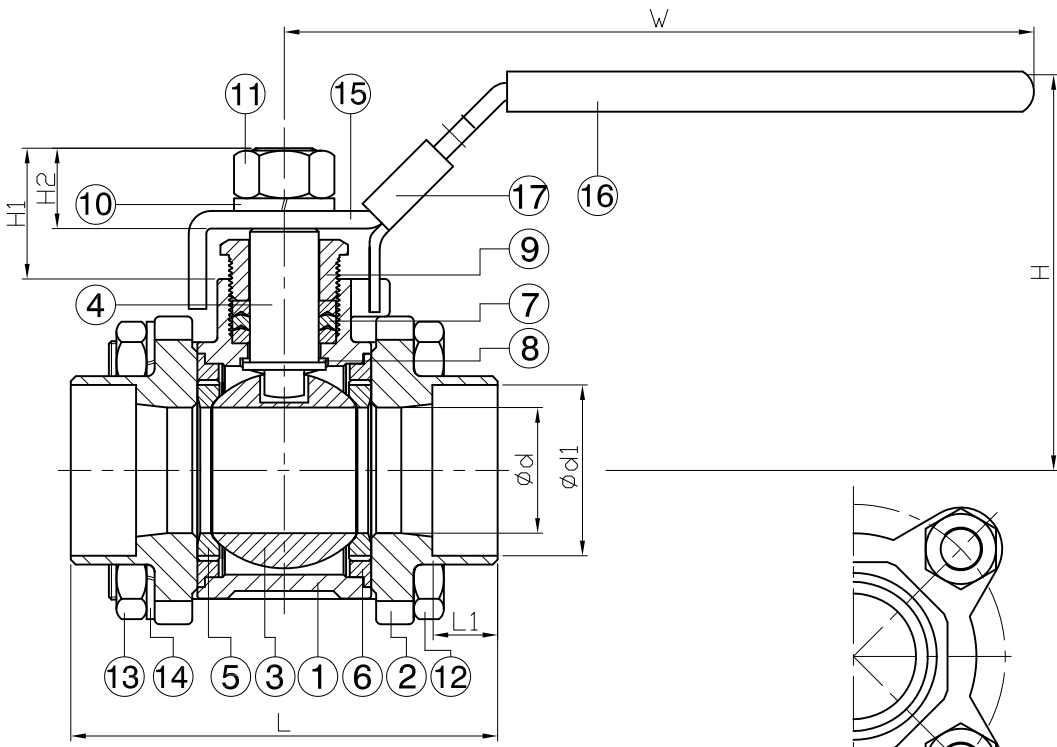


DN	d	d1	L	L1	H	H1	H2	W	S	D	M	P	ISO 5211	Torque (N-M)		Weight (kg)
														Max		
8	11.6	14.5	65	10	58.5	19.3	13.5	100	5	36	M5	3/8"-24UNF	F03	7.5	0.4	
10	12.5	18	65	10	58.5	19.3	13.5	100	5	36	M5	3/8"-24UNF	F03	7.5	0.4	
15	15	22	65	10	62	19.4	13.5	100	5	36	M5	3/8"-24UNF	F03	7.5	0.5	
20	20	27.5	75	13	62	22.4	16	125	6.5	36	M5	7/16"-20UNF	F03	7.5	0.7	
25	25	34	85	13	77	25.6	16.2	149	8	42	M5	7/16"-20UNF	F04	12.5	1	
32	32	43	101	13	82	25.6	16.2	149	8	42	M5	7/16"-20UNF	F04	15	1.7	
40	38	49	112	13	100	29.7	20	190	10	50	M6	1/2"-20UNF	F05	20	2.4	
50	50	61	130	16	108	29.7	20	190	10	50	M6	1/2"-20UNF	F05	25	3.5	
65	63	74	162	16	137	39.4	27.5	250	12	70	M8	3/4"-10UNC	F07	64	6.7	
80	76	90	188	16	145	39.4	27.5	250	12	70	M8	3/4"-10UNC	F07	85	9.8	
100	96	116	224	20	179	53.7	39.8	323	16	102	M10	1"-8UNC	F10	95	19.2	

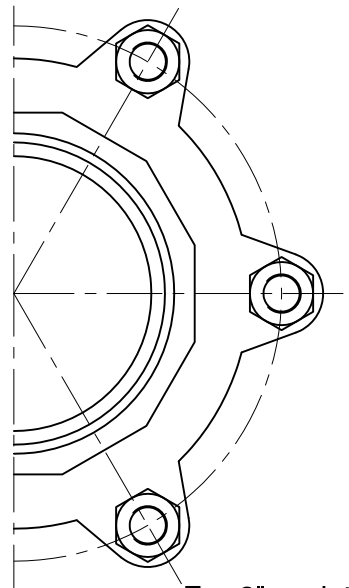
unit:mm

NPS	d	d1	L	L1	H	H1	H2	W	S	D	M	P	ISO 5211	Torque (in-lb)		Weight (lb)
														Max		
1/4"	0.46	0.57	2.56	0.39	2.3	0.76	0.53	3.94	0.2	1.42	M5	3/8"-24UNF	F03	66.4	0.8	
3/8"	0.49	0.71	2.56	0.39	2.3	0.76	0.53	3.94	0.2	1.42	M5	3/8"-24UNF	F03	66.4	0.8	
1/2"	0.59	0.87	2.56	0.39	2.44	0.76	0.53	3.94	0.2	1.42	M5	3/8"-24UNF	F03	66.4	1.1	
3/4"	0.79	1.08	2.95	0.51	2.44	0.88	0.63	4.92	0.26	1.42	M5	7/16"-20UNF	F03	66.4	1.6	
1"	0.98	1.34	3.35	0.51	3.03	1.01	0.64	5.87	0.31	1.65	M5	7/16"-20UNF	F04	110.6	2.3	
1-1/4"	1.26	1.69	3.98	0.51	3.23	1.01	0.64	5.87	0.31	1.65	M5	7/16"-20UNF	F04	132.8	3.6	
1-1/2"	1.5	1.93	4.41	0.51	3.94	1.17	0.79	7.48	0.39	1.97	M6	1/2"-20UNF	F05	177	5.3	
2"	1.97	2.4	5.12	0.63	4.25	1.17	0.79	7.48	0.39	1.97	M6	1/2"-20UNF	F05	221.3	7.7	
2-1/2"	2.48	2.91	6.38	0.63	5.39	1.55	1.08	9.84	0.47	2.76	M8	3/4"-10UNC	F07	566.4	14.8	
3"	2.99	3.54	7.4	0.63	5.71	1.55	1.08	9.84	0.47	2.76	M8	3/4"-10UNC	F07	752.3	21.6	
4"	3.78	4.57	8.82	0.79	7.05	2.11	1.57	12.72	0.63	4.02	M10	1"-8UNC	F10	840.8	42.3	

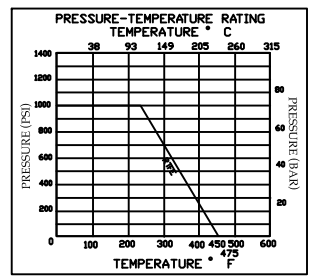
unit:in



For 1/4" to 2-1/2"
4 BOLTS



For 3" and 4"
6 BOLTS



ITEM	PARTS	MATERIAL
1	BODY	ASTM A216-WCB
2	CAP	
3	BALL	ASTM A351-CF8M
4	STEM	ASTM A276-316
5	SEAT	RTFE
6	GASKET	
7	PACKING	PTFE
8	THRUST WASHER	
9	GLAND NUT	
10	SPRING WASHER	
11	STEM NUT	AISI 304
12	BOLT	
13	NUT	
14	SPRING WASHER	
15	HANDLE	STAINLESS STEEL
16	HANDLE SLEEVE	PVC
17	LATCH LOCK	STAINLESS STEEL



CHECK BY	DRAWING BY	DATE	SPECIFICATION	3-PC Socket Weld End Ball Valve 1000 WOG
	<i>Sammy</i>	Nov.25.2014	MATERIAL	WCB
			PROCESS/Nr.	
			UNIT / SCALE	mm

△			
△			
△			
Revise	Description	Date	Approve
DRAWING NO. 356FWN			