

BUTTERFLY FEATURES & OPTIONS

STANDARD FEATURES

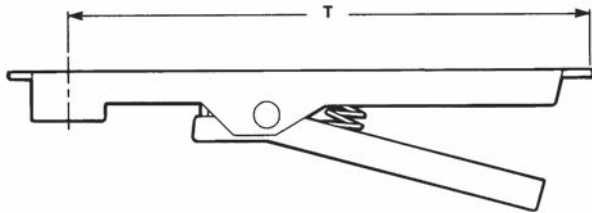
HEAVY DUTY DESIGN
 PHENOLIC CARTRIDGE DESIGN
 LOW TORQUE LINER
 BUBBLE TIGHT SEAL
 LOW TORQUE POLYMER BEARING STD
 DEAD END SERVICE LUG ONLY
 FIELD REPAIRABLE

EXTENDED NECK BODY
 LOW PROFILE DISC
 BLOWOUT PROOF STEMS
 STAINLESS STEEL STEMS 416
 BI-DIRECTIONAL SHUT OFF
 VACUUM RATINGS TO 29" OF MERCURY

OPERATORS

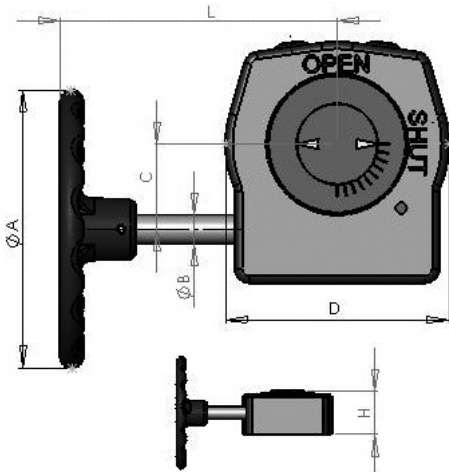
MANUAL

10 POSITION, PAD LOCKABLE, DUCTILE IRON LEVER HANDLE –STD, EPOXY COATING OPTIONAL.



VALVE SIZE	PART NUMBER	T-DIMENSION (inches)
2, 2-1/2, 3	84016-L	9-1/2
4, 5	84016-R	11
6	84016-S	11
8	84016-U	15
10, 12	84016-W	15

WEATHER RESISTENT GEAR OPERATOR, CAST IRON, MEMORY STOP AND LOCKING DEVICE OPTIONAL.



Valve Size	Part Number	Gear Ratio	ØA	ØB	C	D	H	L
2-3	8115-24N-L	24:1	5.75	0.63	1.80	4.13	2.30	7.50
4-5	8115-24N-R	24:1	5.75	0.63	1.80	4.13	2.30	7.50
6	8115-24N-S	24:1	5.75	0.63	1.80	4.13	2.30	7.50
8	8115-30N-U	30:1	8.75	0.75	2.60	6.02	3.23	8.50
10-12	8115-30N-W	30:1	8.75	0.75	2.60	6.02	3.23	8.50
14-16	8115-48N-16	50:1	12.00	0.75	3.10	6.70	3.46	12.25
18-20	8115-65N-20	80:1	12.00	1.00	2.73	10.25	4.63	11.50
24	8115-78N-24	120:1	15.50	1.00	2.73	10.25	6.00	11.00

Rev. 6

ACTUATORS

PNEUMATIC OPERATORS
 DOUBLE ACTING OPERATORS
 SPRING-RETURN ACTUATORS
 SOLENOID VALVES
 ACTUATOR BRACKETS
 LIMIT SWITCHES
 VALVE POSITIONERS

120 VOLT AC AND DC VOLTAGES
 NEMA 4 AND 7 HOUSING
 4-20 mA DC VALVE POSITIONERS
 ACTUATOR BRACKETS
 EXTRA LIMIT SWITCHES
 ELECTRIC ACTUATORS

The information presented on this sheet is correct at the time of publication. Milwaukee Valve reserves the right to change design, and/or material specifications without notice. For the Installation, Operation and Maintenance Manual (IOM) see the engineering section on our website. For the most current information access www.milwaukeevalve.com

