

CHECK 1509/1509T

HORIZONTAL SWING – BRONZE

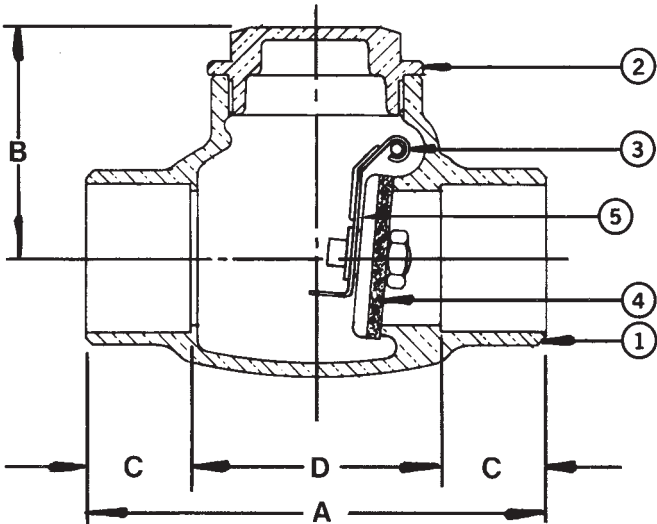
125 lb. SWP-200 lb. WOG† • General Services
Bronze Disc • Sweat Ends

SPECIFICATIONS

1509*/1509T**	Conforms to: MSS SP-80. Type 3*, Type 4** Class 125, Soldered Ends.
---------------	--

MATERIAL LIST

NO.	PART	MATERIAL	SPECIFICATION
1	Body	Bronze	ASTM B 62
2	Cap	Bronze	ASTM B 62
3	Lever	St. Steel	Commercial
4	Disc	Brass - 1509	ASTM B 16 1/4" to 3/4" ASTM B 453 1" to 1 1/2"
		Bronze - 1509	ASTM B 62 2" to 3"
		PTFE - 1509T	Commercial
5	Pin	St. Steel	Commercial
6	Plug (not shown)	Brass	ASTM B 16
7	Retaining Ring	St. Steel	Commercial



Note: Not intended for use in potable water.

DIMENSIONS - INCHES / MILLIMETERS

UNITS	SIZE	A	B	C	D	C _v
Inches	3/8	2.25	1.44	0.38	1.50	3.3
mm	9.5	57.2	36.5	9.5	38.1	
Inches	1/2	2.56	1.44	0.50	1.56	6.0
mm	12.7	65.1	36.5	12.7	39.7	
Inches	3/4	3.31	1.69	0.75	1.75	10.0
mm	19.1	84.2	42.9	19.1	44.5	
Inches	1	4.00	1.97	0.91	2.19	18.0
mm	25.4	101.6	50.0	23.0	55.6	
Inches	1 1/4	4.25	2.16	0.97	2.31	31.0
mm	31.8	108.0	54.8	24.6	58.8	
Inches	1 1/2	4.94	2.41	1.09	2.75	54.0
mm	38.1	125.4	61.1	27.8	69.9	
Inches	2	6.13	2.81	1.34	3.44	76.0
mm	50.8	155.6	71.5	34.1	87.3	
Inches	2 1/2	7.38	3.63	1.47	4.44	131.0
mm	63.5	187.3	92.1	37.3	122.7	
Inches	3	8.50	4.81	1.66	5.19	192.0
mm	76.2	215.9	106.4	42.1	131.8	

† Non-Shock

Rev. 12

INNOVATION IN EVERY VALVE



MILWAUKEE VALVE

The information presented on this sheet is correct at the time of publication. Milwaukee Valve reserves the right to change design, and/or material specifications without notice. For the Installation, Operation and Maintenance Manual (IOM) see the engineering section on our website. For the most current information access www.milwaukeevalve.com

www.milwaukeevalve.com