

GATE 149 BRONZE

125 lb. SWP-200 lb. WOG† • General Service
Solid Wedge Disc • Rising Stem
Threaded Bonnet • Gland Packed • Sweat Ends

4" size has split wedge and bolted bonnet. It is not covered in MSS SP-80.

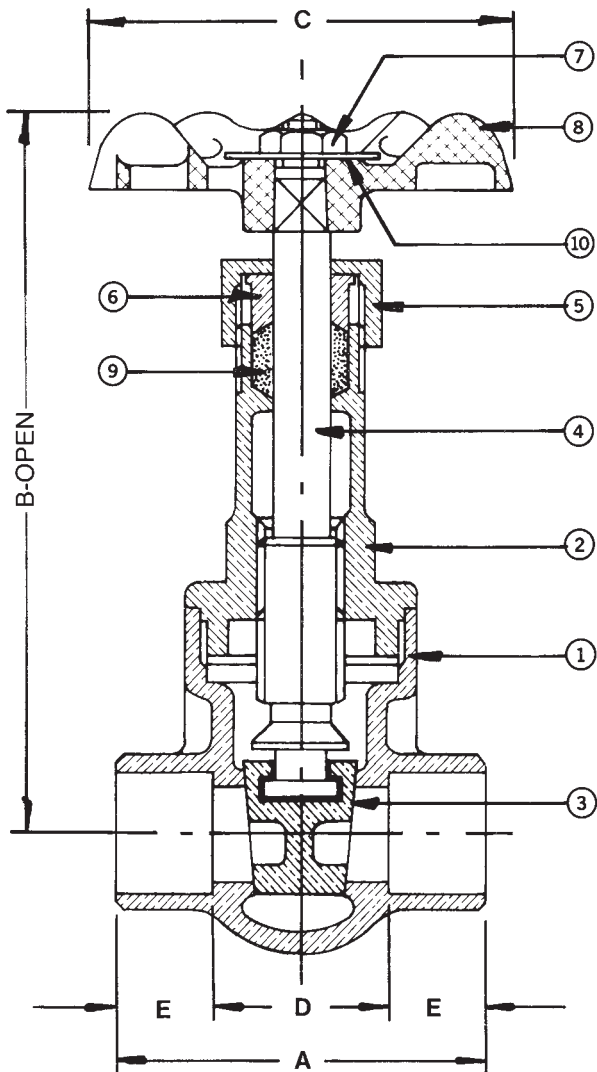
SPECIFICATIONS

149	Conforms to: MSS SP-80. Type 2, Class 125, Soldered Ends.
-----	---

MATERIAL LIST

NO.	PART	MATERIAL	SPECIFICATION
1	Body	Bronze	ASTM B 62
2	Bonnet	Bronze	ASTM B 62
3	Wedge	Bronze	ASTM B 62
4	Stem	Bronze	ASTM B 62
5	Stuff Nut	Brass	ASTM B283 C37700
6 ¹	Gland	Brass	ASTM B124 C37700
7	Wheel Nut	Brass	Commercial
8	Handwheel	Mall. Iron	Commercial
9	Packing	Graphite	Commercial
10	Name Plate	Sh. Alum.	Commercial

¹ Not used on 1/2" and smaller.



DIMENSIONS - INCHES / MILLIMETERS

Units	Size	A	B	C	D	E	C _v
Inches	3/8	1.63	4.31	2.00	0.88	0.38	5.6
mm	9.5	41.3	109.6	50.8	22.3	9.5	
Inches	1/2	1.88	4.31	2.00	0.88	0.50	10.7
mm	12.7	47.6	109.6	50.8	22.3	12.7	
Inches	3/4	2.50	6.25	2.50	1.00	0.75	17.6
mm	19.1	63.5	158.8	63.5	25.4	19.1	
Inches	1	3.00	7.00	2.75	1.19	0.91	32.0
mm	25.4	76.2	177.8	69.9	30.2	23.0	
Inches	1 1/4	3.25	8.63	3.13	1.31	0.97	54.0
mm	31.8	82.6	219.1	79.4	33.4	24.6	
Inches	1 1/2	3.63	9.50	3.50	1.44	1.09	97.0
mm	38.1	92.1	241.3	88.9	36.5	27.8	
Inches	2	4.31	11.50	3.75	1.63	1.34	135.0
mm	50.8	109.6	292.1	95.3	41.3	34.1	
Inches	2 1/2	4.81	14.31	4.75	1.88	1.47	230.0
mm	63.5	122.3	363.6	120.7	47.6	37.3	
Inches	3	5.44	16.38	5.25	2.13	1.66	337.0
mm	76.2	138.1	415.9	133.4	54.0	42.1	
Inches	4	7.25	15.50	5.25	2.16	2.94	536.0
mm	101.6	184.2	393.7	133.4	54.8	74.6	

† Non-Shock

Rev 6

Note: Not intended for use in potable water.

INNOVATION IN EVERY VALVE



MILWAUKEE VALVE

The information presented on this sheet is correct at the time of publication. Milwaukee Valve reserves the right to change design, and/or material specifications without notice. For the Installation, Operation and Maintenance Manual (IOM) see the engineering section on our website. For the most current information access www.milwaukeevalve.com

www.milwaukeevalve.com