

Flow Switches – Liquid

Series FS7-4, FS7-4L & FS7-4S Industrial Liquid Flow Switches

Components

| For Series | Item Number | Part Number | Model Number | Description | Weight lbs. (kg) |
|------------|-------------|-------------|--------------|----------------------------|------------------|
| FS7-4 | | | | | |
| FS7-4S | 1 | 307000 | FS7-31 | SPDT switch | 0.3 (.14) |
| FS7-4L | | | | | |
| FS7-4 | | | | | |
| FS7-4S | 2 | 337550 | FS7S-4R-4 | Paddle arm | 0.5 (.23) |
| FS7-4 | 3 | 306700 | FS7-28 | Bronze paddle kit | 0.1 (.05) |
| FS7-4S | 4 | 306800 | FS7-28S | Stainless steel paddle kit | 0.1 (.05) |
| FS7-4L | 5* | 337900 | FS7-28L | Bronze paddle kit | 0.1 (.05) |
| FS7-4L | 6* | 337650 | FS7-VL-4R-4 | Paddle arm | 0.5 (.23) |

Note: Paddle kits include screws and washers.

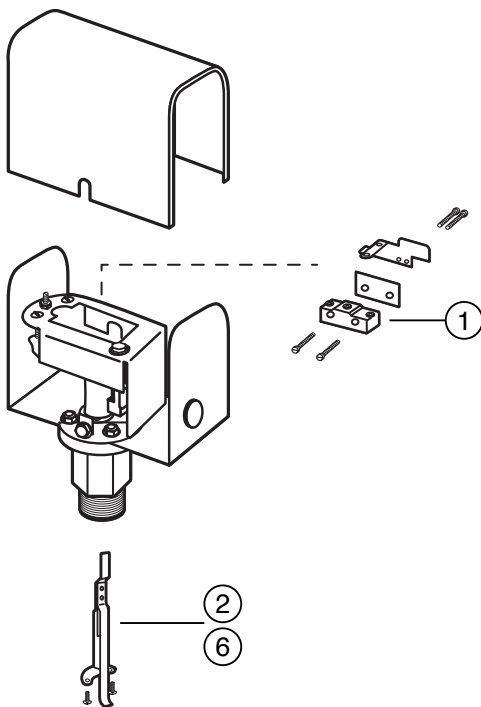
* Available on L models only.



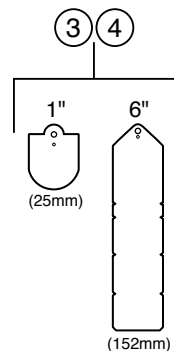
Series FS7-4



Series FS7-4L



Series FS7-4, FS7-4L & FS7-4S



Series FS7-4 & FS7-4S Paddle Kit



Series FS7-4L Paddle Kit

FLOW SWITCHES

Flow Switches – Liquid

Series FS7-4E & FS7-4W Industrial Liquid Flow Switches

Components

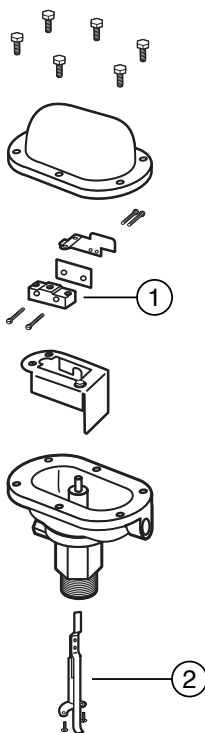
| For Series | Item Number | Part Number | Model Number | Description | Weight lbs. (kg) |
|--------------------|-------------|-------------|--------------|----------------------------|------------------|
| All models | 1 | 307000 | FS7-31 | SPDT switch | 0.3 (.14) |
| | 2 | 337550 | FS7S-4R-4 | Paddle arm | 0.4 (.18) |
| FS7-4E FS7-4W | 3 | 306700 | FS7-28 | Bronze paddle kit | 0.1 (.05) |
| FS7-4SE FS7-4SW | 4 | 306800 | FS7-28S | Stainless steel paddle kit | 0.1 (.05) |
| FS7-4W FS7-4SW | 5 | 307200 | FS7-W-43 | Gasket | 0.1 (.05) |



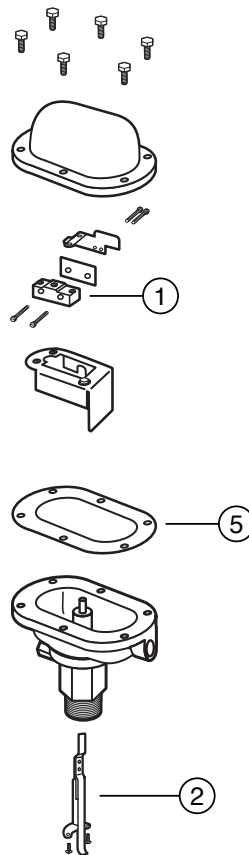
Series FS7-4E & FS7-4W

FLOW SWITCHES

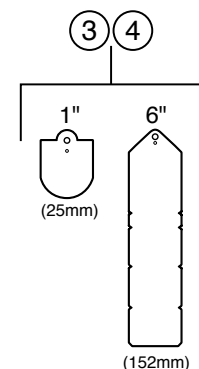
Note: Paddle kits include screws and washers.



Series FS7-4E



Series FS7-4W



Paddle Kit