

Flow Switches – Liquid

Series FS6 & FS6-W High Sensitivity Liquid Flow Switches

Components

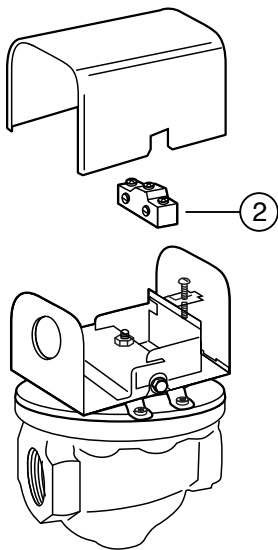
Item Number	Part Number	Model Number	Description	Weight lbs. (kg)
1	300311	GSKT-FS1/6W	O-ring	0.1 (.05)
2	304300	FS1-17	Switch	0.3 (.14)



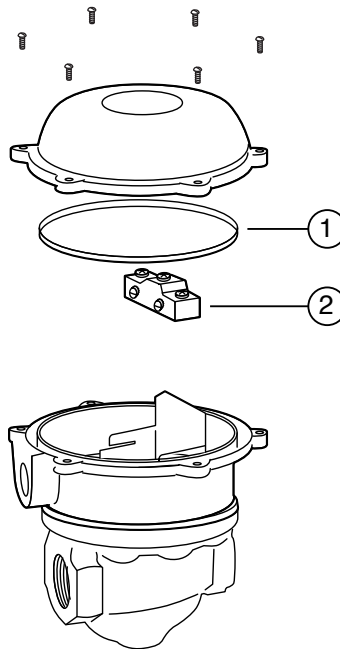
Series FS6



Series FS6-W



Series FS6



Series FS6-W