

Low Water Cut-Offs – Float Type For Steam Boilers

Series 67

Low Water Cut-Offs

Replacement Head Mechanisms

For Model	Repl. Head Model No.	Part Number	Description	Weight lbs. (kg)
67				
67-LQHU	6667	153825	Head mechanism	1.5 (0.7)
67-G	6667MV	153850	6667 for Millivolt service	1.5 (0.7)



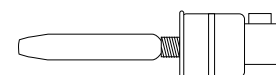
Series 67



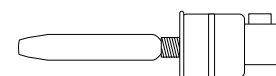
**Model 67-LQHU
(without quick
hook-up fittings)**

Components (shown on page 15)

Item Number	Part Number	Model Number	Description	Weight lbs. (kg)
1	344100	SA66-35	Upper tube assembly	1.0 (0.5)
2	334600	MA559	Quick hook-up fittings	2.5 (1.1)
3	318800	67-12	Gasket	0.1 (.05)
4	344200	SA67-2	Float and bellows assembly	1.0 (0.5)
5	309100	11	Switch	0.5 (.23)
6	309151	11-M	Switch w/manual reset	0.5 (.23)
7	309200	11-MV	No. 11 for Millivolt service	0.5 (.23)
8	310447	14-B	Blow-down valve	0.5 (.23)
9	313200	37-39	Blow-down valve gasket	0.1 (.05)



Model 6667



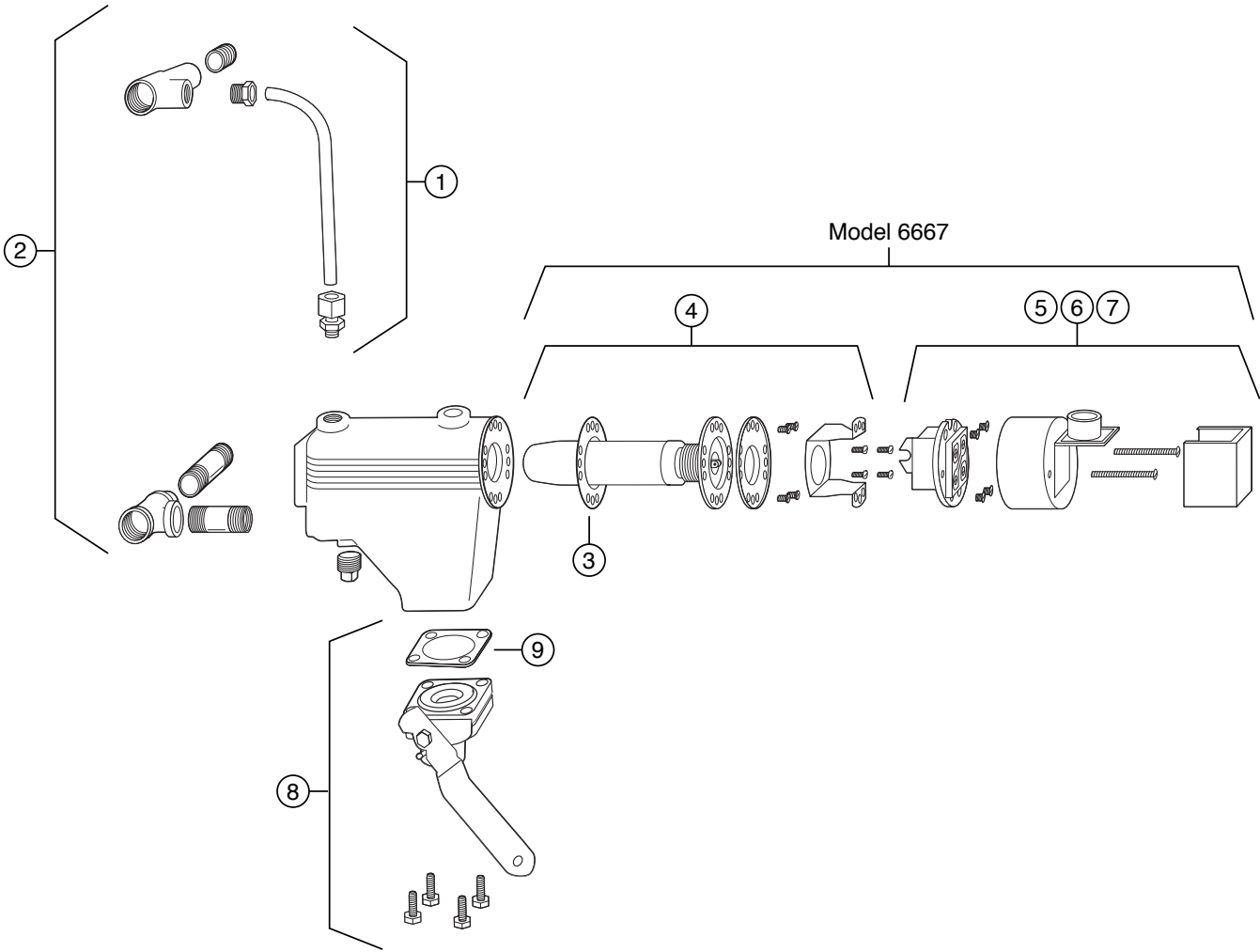
Model 6667MV



Low Water Cut-Offs – Float Type For Steam Boilers

Series 67 (continued)
Low Water Cut-Offs

Components



BOILER CONTROLS