

## Combination Mechanical Water Feeder/ Low Water Cut-Offs

### Series 53/53-2 Water Feeder/Low Water Cut-Offs

#### Replacement Head Mechanisms

For Series	Repl. Head Model No.	Part Number	Description	Weight lbs. (kg)
53	53-2-HD or	137300	Head mechanism w/ No. 2 switch	20.5 (9.3)
	53-2M-HD	137250	53-2-HD w/manual reset	20.5 (9.3)

#### Components (shown on page 49)

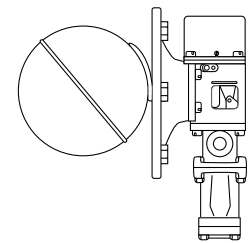
Item Number	Part Number	Model Number	Description	Weight lbs. (kg)
1	110000	2	Low water cut-off switch	1.0 (0.5)
2	110100	2-M	No. 2 w/manual reset	1.0 (0.5)
3	304100	F-26	Gasket	0.1 (.05)
4	310438	FLT-53-05	Float (See note following page)	4.0 (1.8)
5	302900	CO-106	Cam assembly	0.1 (.05)
6	312800	37-27	Gasket	0.1 (.05)
7	310441	BA-53-05	Bellows bracket assembly (includes item 3) (See note following page)	1.5 (0.7)
8	342800	SA53-6	Valve assembly	3.0 (1.4)
9	312900	37-28	Gasket	0.1 (.05)
10	324435	37-101	Tetraseal O-ring	0.1 (.05)
11	340700	SA37-38	Strainer basket	0.7 (.32)



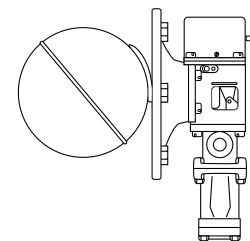
**Series 53**



**Series 53-2**



**Model 53-2-HD**

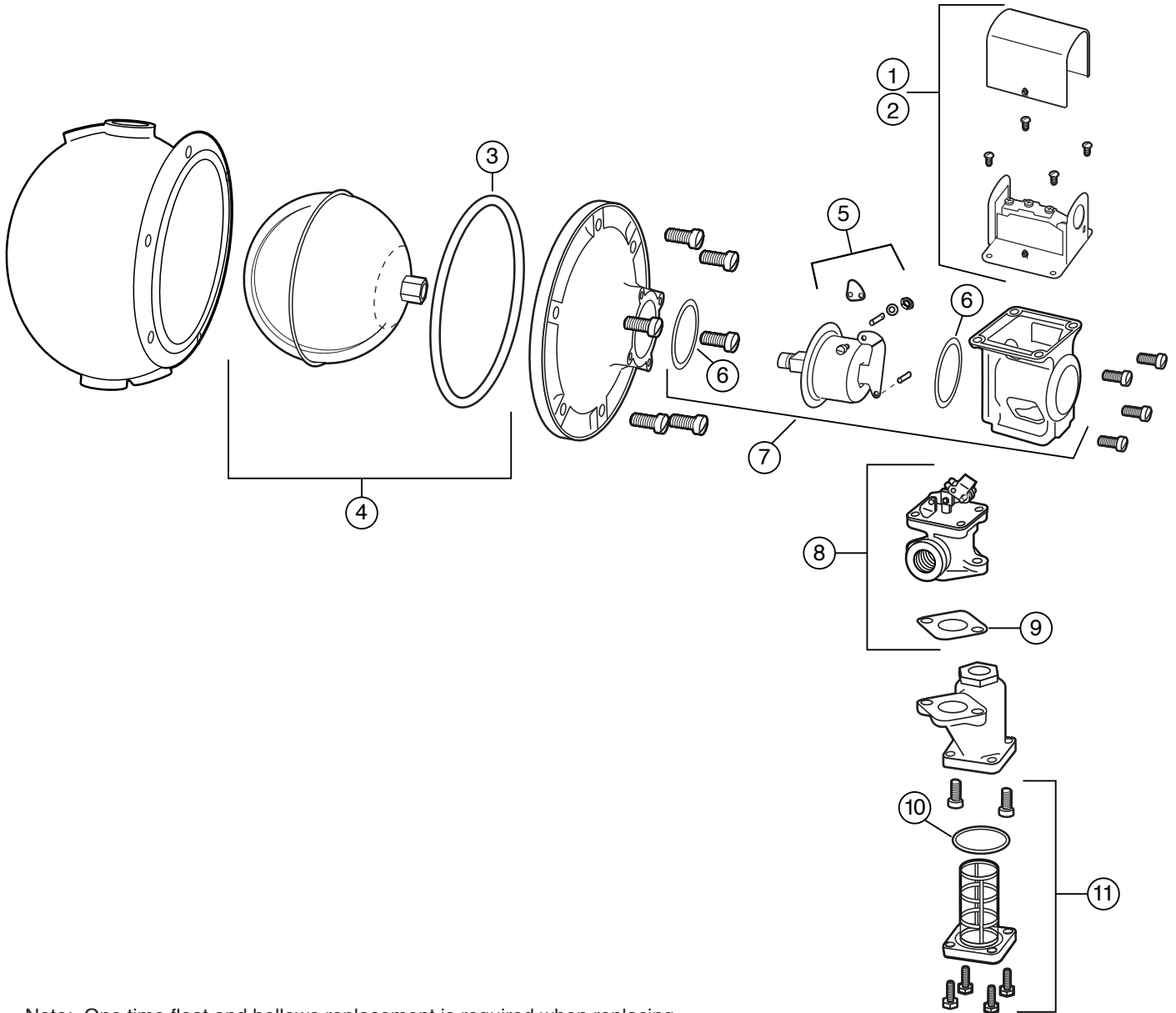


**Model 53-2M-HD**

## Combination Mechanical Water Feeder/ Low Water Cut-Offs

Series 53/53-2 (continued)  
Water Feeder/Low Water Cut-Offs

### Components



Note: One time float and bellows replacement is required when replacing bellows or float assemblies with date codes before February, 2005 (05B).