



SUBMITTAL DATA: LIVV12HP115V1A 12000 BTU/H Wall Mounted Heat Pump System

Job Name	Location	Date
Purchaser	Engineer	
Submitted To	For	
Unit Designation	Schedule No.	

YAN1F6F LIVV12HP115V1AH LIVV12HP115V1AO



XE71 (Optional)

GENERAL FEATURES

- AHRI Certificate: [207094535](#)**
- High Efficiency DC Inverter Technology**
- Compact and Quiet Design**
- Wireless Remote with LCD Display**
- Wired Controller Options**
- Wi-Fi Included**
- Low Ambient Cooling down to 0°F (Range 0°F to 115°F)**
- Low Ambient Heating down to -4°F (Range -4°F to 75°F)**
- Coil (Indoor and Outdoor) Copper Tube / Aluminum Fin*[†]**
- * (Blue Fin) 500 Hrs Salt Spray Tested**

5 Year Limited Compressor & Parts Warranty (Residential Only)

SPECIFICATIONS

LIVV12HP115V1AH / LIVV12HP115V1AO

System Type		HEAT PUMP	
SYSTEM PERFORMANCE			
Cooling	Rated Capacity @ 95°F	Btu/h	12000
	Min-Max Capacity	Btu/h	3753-12500
Heating	Rated Capacity @ 47°F	Btu/h	13000
	Min-Max Capacity	Btu/h	3412-15013
SEER / EER		18 / 10	
HSPF / COP		9 / 3.05	
Energy Star®		NO	
Cooling Temperature Range		°F	0 - 115
Heating Temperature Range		°F	-4 - 75
INDOOR UNIT		LIVV12HP115V1AH	
Fan Motor Output Power		W	20
Fan Motor FLA		amps	0.25
Air Flow (Min - Max)		CFM	194 - 400
Sound Pressure Level (Cooling / Heating)		dB(A)	28 / 43
Dehumidification		pt/hr	2.96
Condensate Drain Size (OD)		in	0.625
Unit Dimension (WxHxD)		in	33 1/4 × 11 3/8 × 8 1/4
Package Dimension (WxHxD)		in	36 1/8 × 14 1/3 × 11
Weight (Net / Gross)		lbs	23.2 / 27.6
OUTDOOR UNIT		LIVV12HP115V1AO	
Compressor Type		GREE G-10 / 1 STAGE INVERTER	
Compressor RLA		amps	15.23
Fan Motor Output Power		W	30
Fan Motor RLA		amps	0.23
Sound Pressure Level (Cooling / Heating)		dB(A)	53
Unit Dimension (WxHxD)		in	33 3/8 × 21 1/4 × 12 5/8
Package Dimension (WxHxD)		in	34 5/8 × 14 3/16 × 22 7/8
Weight (Net / Gross)		lbs	67.3 / 72.8
Refrigerant Charge - R410A		oz	31.8
Coil Type		Aluminum Fin-Copper Tube / Acrylic Resin Protection	
REFRIGERANT PIPING			
Line Set Size (Liquid - Gas)		in	1/4 - 3/8
Pre-Charge Lengh		ft	25
Pipe Length (Min - Max)		ft	10 - 66
Max. Pipe Elevation		ft	49
ELECTRICAL			
Power Supply (Voltage Operating Range)		115V / 1PH / 60HZ	
Rated Current (Cooling / Heating)		amps	13.5 / 13.8
MCA / MOCP		amps	20 / 30
Main Power Wire Size		AWG	Size Per Local Code
Interconnecting Wire Size		AWG	14 / 4
LIMITED WARRANTY		5 Years Parts and Compressor - Residential	

Features & Function Summary**LIVV12HP115V1A****SYSTEM FEATURES**

Inverter Type	G10
Ultra Low Frequency Torque Control	Yes
Power Factor Correction	Yes
Compressor Type	High Eff. Rotary
Refrigerant Type	R410A
Basepan With Electric Heater	YES
Compressor With Electric Heater	YES
Outdoor Fin Coating (Color: Blue)	Acrylic-Resin/Anti-Corrosive
Intelligent Defrosting	YES
Force Defrosting	YES
Intelligent Preheating	YES
Low Voltage Startup	YES
Memory/Power Failure Recovery	YES
Self Diagnosis	YES
Wired Controller Interface (XE71)	YES
WiFi Included	YES
Indoor Fan Type	Crossflow
Multi Fan Speeds	4 Speeds
Indoor Unit Display	YES
Auxiliary Electrical Heater	NO
Ventilation (Outdoor Air)	NO

REMOTE CONTROLLER FUNCTIONS

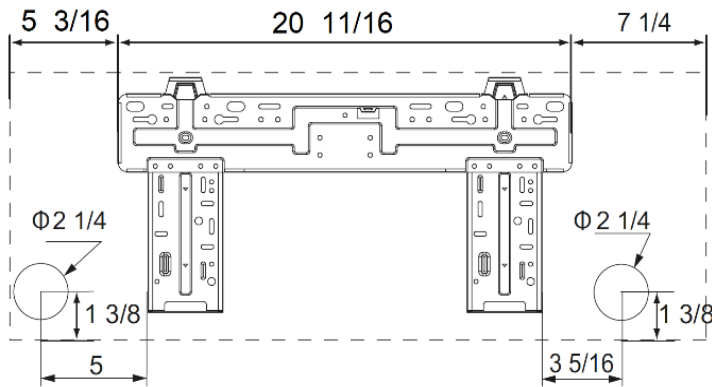
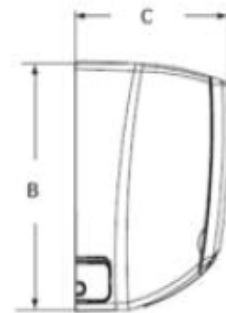
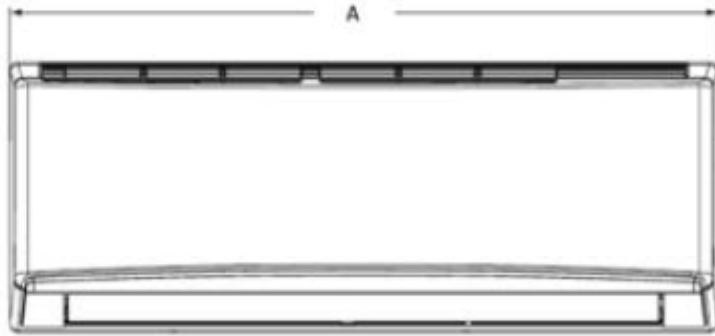
Auto Mode	YES
Auto Fan	YES
Manual Horizontal Swing	YES
Auto Swing (Vertical Auto Swing)	YES
Clock on Remote Controller	YES
Dry Mode	YES
Dry Anti-Mildew (X-Fan) Mode	YES
Energy Saving Mode	YES
Dirty Filter Alert	NO
I Feel Function	YES
Lock on Remote Controller	YES
Quiet Mode	NO
Room Temperature Display	YES
Sleep Mode	YES
Timer Mode	YES
Turbo Mode	YES
Display On/Off Control	YES
Freeze Guard Mode (46 °F)	YES
Display On/Off Control	YES

COOLING PERFORMANCE

HEATING PERFORMANCE

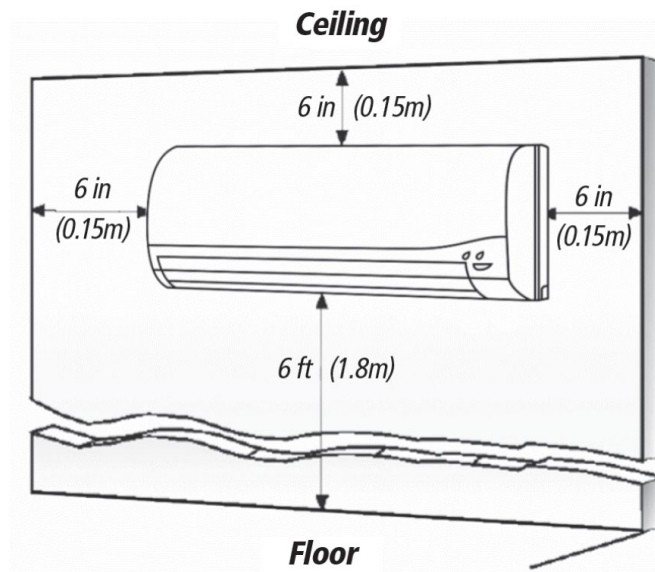
Outdoor	Return Air Temperature					Outdoor Ambient Temperature (DB)	Return Air Temperature			
	80°F (DB)						70°F (DB)			
		TC (Btu/h)	SHR	EER	Power Input (W)		TC (Btu/h)	COP	Power Input (W)	
MAX OUTPUT	0°F	6150	4459	2.83	637	MAX OUTPUT	-4°F	6480	1.22	1554
	5°F	6396	4669	2.88	650		0°F	8775	1.63	1582
	10°F	6581	4821	2.88	670		5°F	9855	1.79	1610
	15°F	6765	4972	2.88	689		10°F	10800	2.04	1554
	20°F	7073	5217	2.90	715		15°F	11408	2.17	1547
	25°F	7380	5461	2.92	741		17°F	12015	2.29	1540
	30°F	7872	5865	2.96	780		20°F	12150	2.42	1470
	35°F	8241	6161	2.98	813		25°F	12285	2.52	1428
	40°F	8610	6458	2.99	845		30°F	12555	2.60	1414
	45°F	8979	6758	2.88	917		35°F	12690	2.70	1379
	50°F	9348	7058	2.77	988		40°F	12825	2.80	1344
	55°F	9963	7572	2.81	1040		45°F	13230	2.83	1372
	60°F	10640	8114	2.82	1105		47°F	13500	2.83	1400
	65°F	11316	8657	2.83	1170		50°F	14580	2.96	1442
	70°F	11870	9111	2.89	1203		55°F	15053	3.02	1463
	75°F	12423	9566	2.95	1235		60°F	15525	3.07	1484
	80°F	12915	9978	3.02	1255		65°F	14850	2.85	1526
	85°F	13407	10390	3.08	1274		70°F	14310	2.72	1540
	90°F	12854	9992	2.93	1287		75°F	13365	2.52	1554
	95°F	12300	9594	2.77	1300					
100°F	11685	9142	2.54	1352						
105°F	11070	8690	2.31	1404						
110°F	10701	8426	2.17	1450						
115°F	10332	8162	2.03	1495						

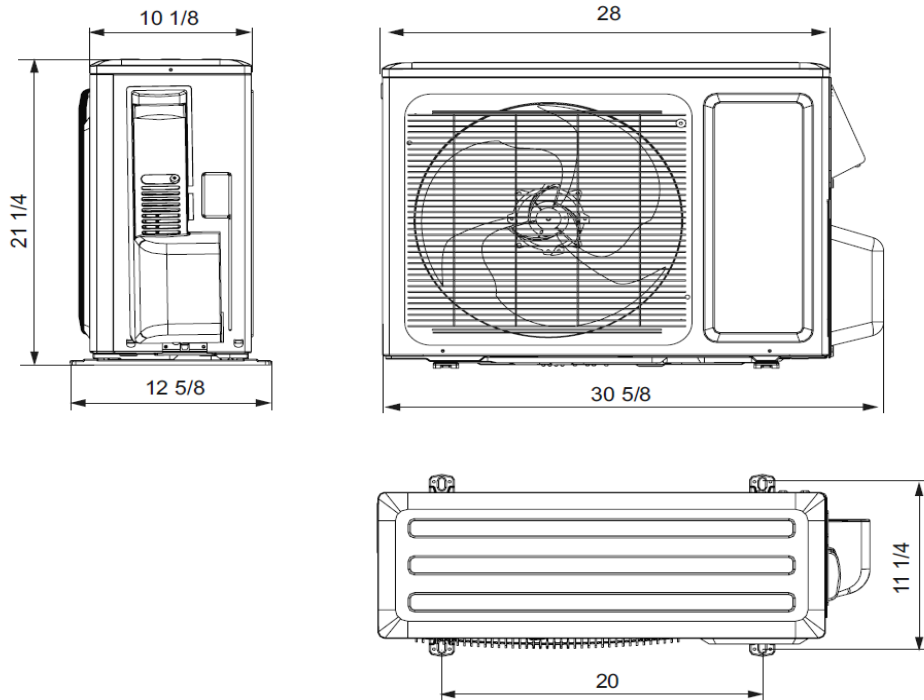
- LEGEND:**
- W - Watts**
 - DB - Dry Bulb**
 - TC - Total Capacity**
 - SHR - Sensible Heat Ratio**
 - COP - Coefficient of Performance**



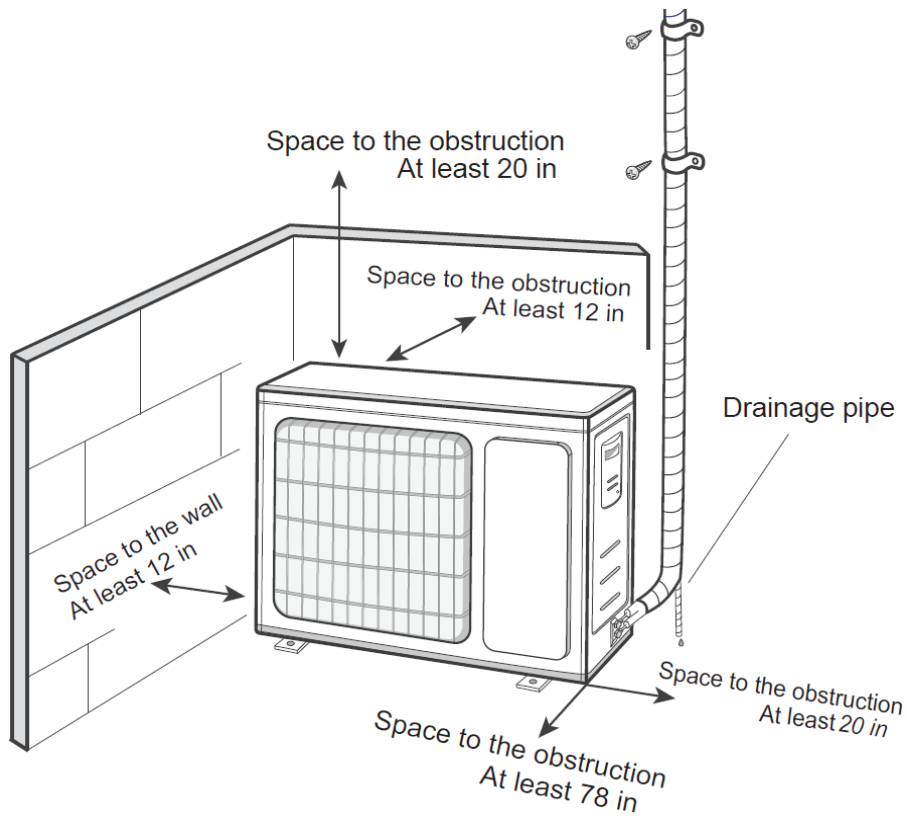
Dimensions	
A	$33 \frac{1}{4}$
B	$11 \frac{1}{4}$
C	$8 \frac{3}{8}$

Unit = Inch





Unit = Inch



Specifications are subject to change without notice. Manufacturer reserves the right to discontinue or modify specifications or designs without notice or without incurring obligations. All Rights reserved.