

R1326

GENERAL

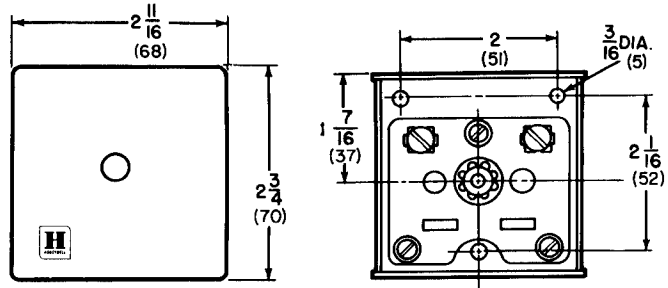
The L7033A Sensor senses the temperature of air or liquids in an HVAC system. It is inserted into a duct or immersed in liquid. The Balco-type sensor can be used with electronic temperature controllers in Excel, Excel Plus, DeltaNet, and MicroniK systems.

L7033A Insertion and Immersion Sensor

DESCRIPTION

The L7033A senses the temperature of air or liquids in an HVAC system.

Dimensions in Inches (Millimeters):



SPECIFICATIONS

Model:

□ L7033A

Nominal Resistance:

Temperature Sensing Range:

-30 to 250F (-34 to 121C)

Resistance Element:

Balco type (annealed nickel-iron resistance alloy with a positive temperature coefficient)

Temperature Coefficient:

1.15 ohms per degree F at 74F (2.06 ohms per degree C at 23C)

Pressure Rating (Immersion Well):

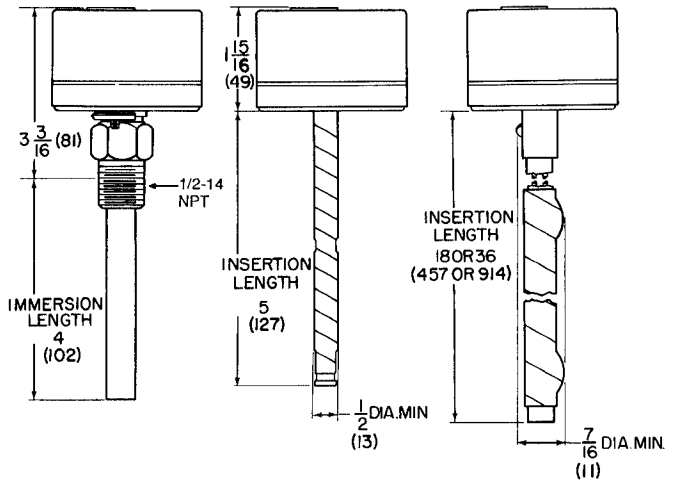
250 psi (1724 kPa)

Immersion Well:

Included with well sensor

Calibration Accuracy:

± 1 ohm



6429

6427-1

Honeywell

In the USA: Honeywell Plaza, Minneapolis, Minnesota 55408
In Canada: Scarborough, Ontario M1P 2V9
Subsidiaries and Affiliates Around the World

74-3325

Commercial Bldg Group
MLF TAB: II. B. 4.

Printed in USA

Rev. 11-87